

2023 Collection

PRODUCT NEWS.
FOR YOUR PROJECTS.

HIGH EFFICIENCY
LIGHTING, ELECTRIFIED
MODULAR SYSTEMS,
SPECIALTIES
AND CONTROL SYSTEMS.

Visibly Invisible

We make
your projects shine

We create details of light. Our lighting systems combine beauty, functionality and elegance for your projects, to improve people's well-being and quality of life. Together.

High efficiency

and “smart-home ready” solutions for remote light control



The new generation of 24V LED strips, bringing a higher efficiency, integrated in all our solutions.

More light output, less energy input

We transformed the heart of our products, increasing the efficiency and achieving a higher energy class. The design and installation are made easy thanks to the reduced width and shorter cut points. All components, including the recycled packaging, are optimized to be a more sustainable product.

New light control systems and dedicated sanitizing light sources. All at your fingertips.

Discover the “Lighting Intelligence” program: visual comfort and smart features in total safety.

Our Mec Professional is “Smart-home ready” with two new wireless remote controls and an upgraded app that easily integrates with third-party systems.

Our selection of dedicated sensors, controllers and linear luminaires with special light sources can alternate between white light and blue / UV-A light to keep your spaces clean & sanitized.



HI LINE

Light effects, stylish details to enhance and organize the living, exhibition or work space.



LOOKUP

Hi Line

Horizontal illuminated modular system. Versatile for any wall type, with the possibility to add light effects with L&S Solaris panels.

→ PAGE 18

Practical and easy to integrate with the Sign system and with the new design accessories. Shelves and small pieces of furniture (open, with glass or wooden doors) allowing multiple compositions and a great flexibility.

→ PAGE 18

Lookup

To complete your interior, the new suspension lamp Lookup complete the atmosphere and lighting effects of your environment.

→ PAGE 34



Modular and versatile solutions for maximum customization of your furniture projects. Ideal for shops, offices, hotels, and living areas or walk-in closets.

Thin Line A sleek and flexible design

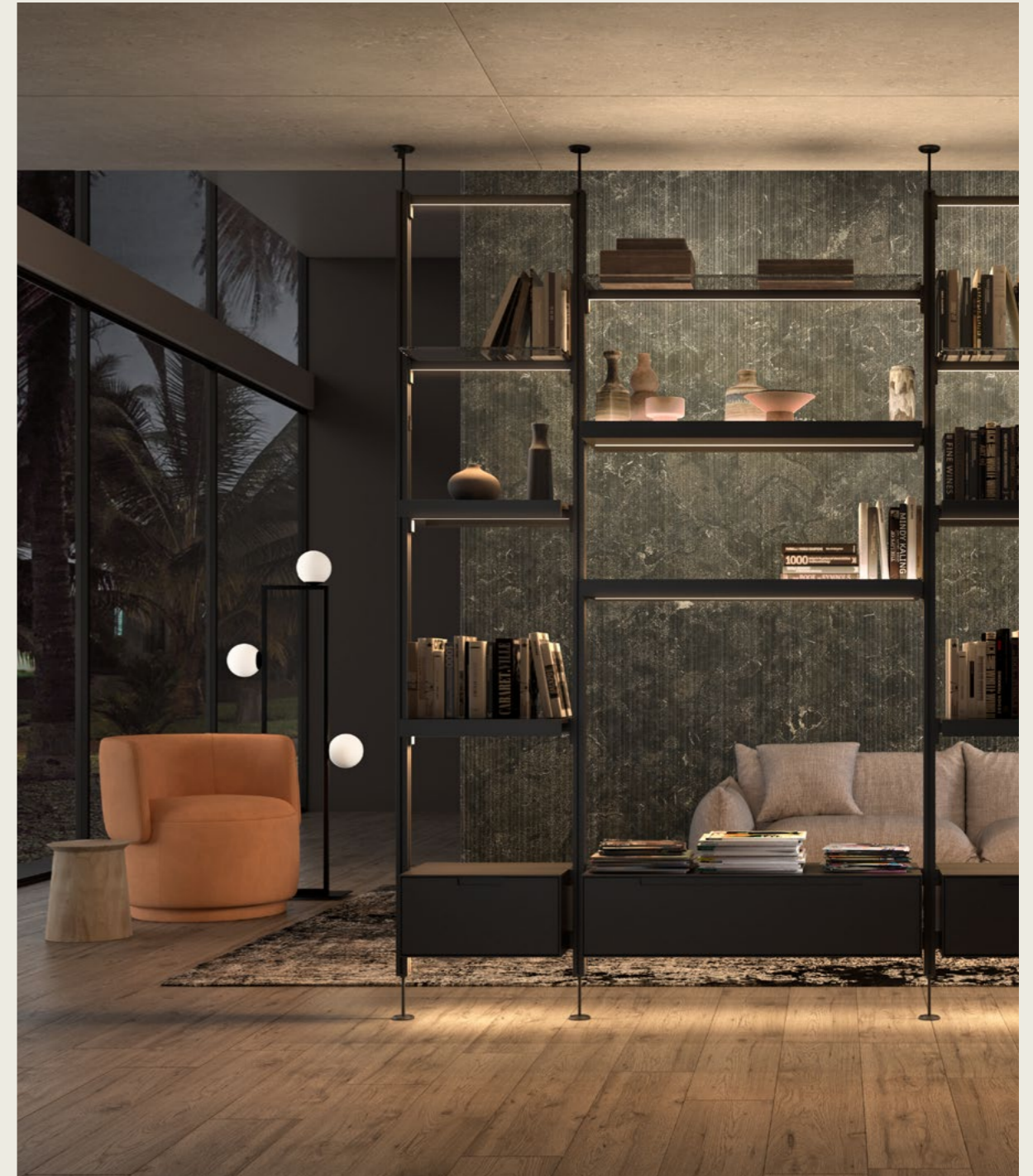
Innovative concept for electrified profiles to create extremely flexible configurations of illuminated shelves and other design accessories without visible connections.

Square Line Enhance your environment made easy, everywhere.

Versatile shelving system, both floor-to-ceiling or wall mounted, includes many components with integrated LED lighting. Ideal for open-concept spaces or hybrid home office environments.



THIN LINE



SQUARE LINE



Download our
Electrified
modular structure
catalogue



SOLARIS

Lighting panels to enhance spaces and the value of objects in stores and museums. The panels can be integrated in our electrified structures or used in stand-alone scenarios.

Every Solaris panel is customizable in shape, size, and light source.

Contributing to the beauty of culture

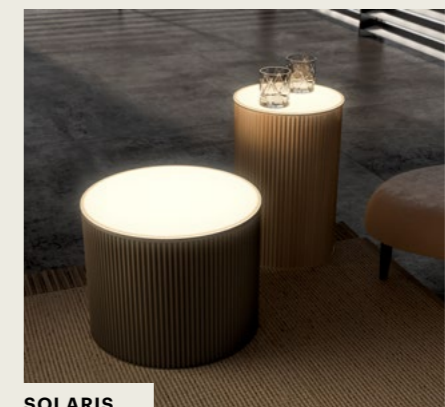
Solaris is the ideal solution for museums and retail environments, where optimal lighting improves the visitors' experience, enhancing the artwork and objects on display. The full customization makes the product the perfect choice for any installation.

Light touches at home

Solaris light panels exalt the illuminated object giving it an exceptional visibility with a diffused and uniform lighting that has no reflection, shadows or glare.



SOLARIS GLAM



SOLARIS



Download our Light panels Brochure



Index

| | | |
|--------------------------------|----|----------------------------------|
| Electrified modular structures | 18 | Hi Line |
| Modular systems | 22 | Sign with the new accessories |
| | 28 | Lite Track |
| Specialities | 30 | Spacefit |
| | 34 | Lookup |
| | 36 | Slimfit |
| Stand-alone solutions | 38 | Mini Tubular IC |
| | 40 | Microline 45 |
| | 42 | Zebra |
| | 44 | Magnolia |

Hi Line

CE

Horizontal illuminated free-standing modular system with integrated light. The most versatile solution for any type of wall, perfect for retail and residential furnishing.

Maximum flexibility and quick assembly.

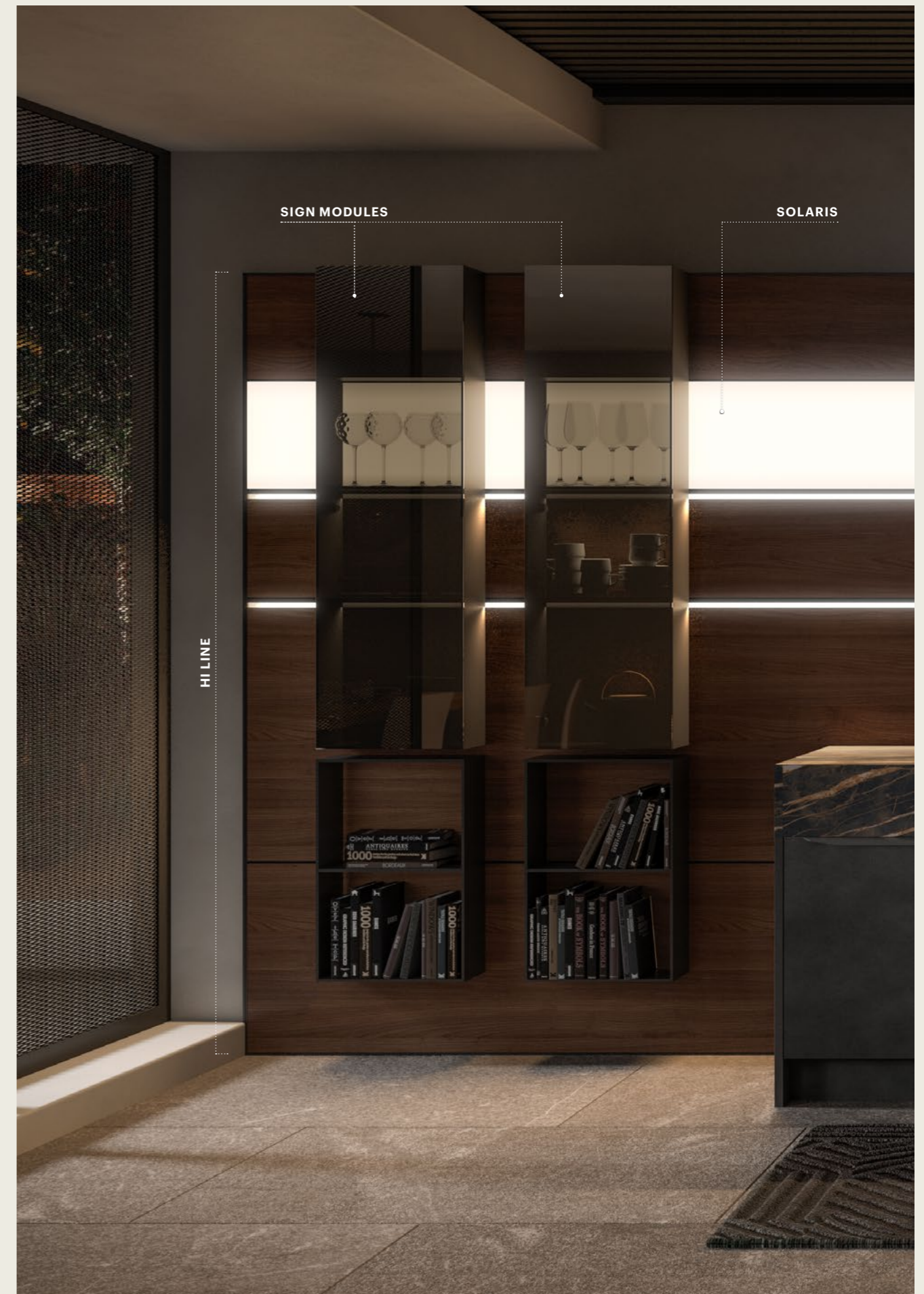
Hi Line enables both suspended or surface mounted furnishing solutions with a combination of aluminium bars integrating light sources and backlit Solaris panels.

Light effects with Solaris light panels

To better emphasize both living and exhibiting areas, the Solaris product family can be easily integrated into the Hi Line system with magnetic fixing.

Compatible with the Sign System

Hi Line can be combined with Sign accessories, such as shelving, cabinets, glass/wooden door (on demand), and more to maximize its usage flexibility.

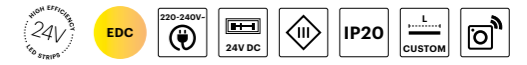




Smart and Remote Control of light effects

The linear Hi Line system light fittings, once hardwired with Mec Driver power supply and contro platform, can be easily controlled via Smart L&S remote controls, L&S Apps or even integrating the most know voice controls commercially available.

Hi Line



| L&S COD. | DESC. | 03 |
|----------------|----------------------------------|----|
| 92900020300 | Upper and lower profile L=3950mm | |
| 92900030300 | Side profile L=3950mm | |
| 92900040300 | Rear profile L=3950mm | |
| 92900070300DND | Lamp L=900mm EDC 8.1W 24VDC | |
| 92900080300DND | Lamp L=1200mm EDC 10.8W 24VDC | |
| 92900090300DND | Lamp L=1500mm EDC 13.8W 24VDC | |
| 92900010300DND | Lamp L=1800mm EDC 16.7W 24VDC | |

| L&S COD. | DESC. | 03 |
|-------------|------------------------------|----|
| 92900050300 | Module 450x800mm n°1 shelf | |
| 92900060300 | Module 450x800mm n°2 shelves | |
| 92900100300 | Shelf L=565mm | |
| 92900110300 | Shelf L=715mm | |
| 92900120300 | Shelf L=865mm | |
| 92900130300 | Shelf L=1165mm | |

ACCESSORIES, CONTROL AND SUPPLY

EMOTION JUMPER
The included cable allows for colour temperature variation from 'warm' to 'natural' white (3000 K - 4000 K).



CONTROL
Product compatible with L&S remote controls of the Smart line.

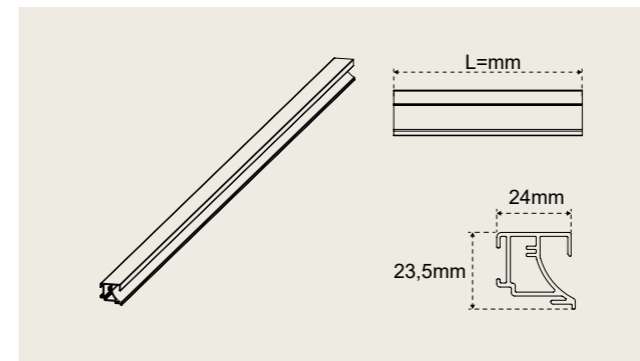


SUPPLY
Mec Driver, complete platform of power supplies and receiving modules for light control.

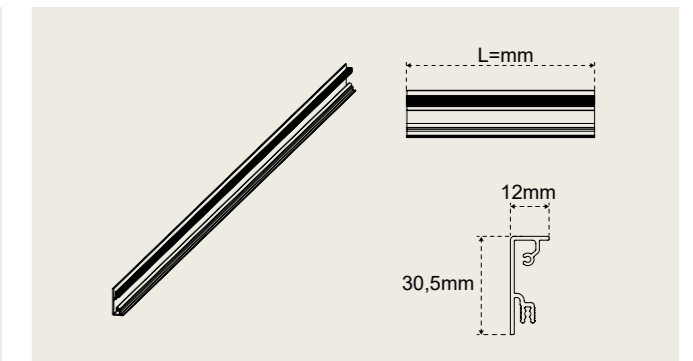


| L&S COD. | DESC. | 03 |
|-------------|-----------------------------|----|
| 92900140300 | Wine glasses hanger L=565mm | |
| 92900150300 | Wine glasses hanger L=715mm | |
| 92900160300 | Wine glasses hanger L=865mm | |
| 92900170300 | Set 4 hooks | |
| 92900180300 | Paper roll hanger | |
| 92900190300 | Towel hanger | |
| 92900200300 | iPad shelf | |

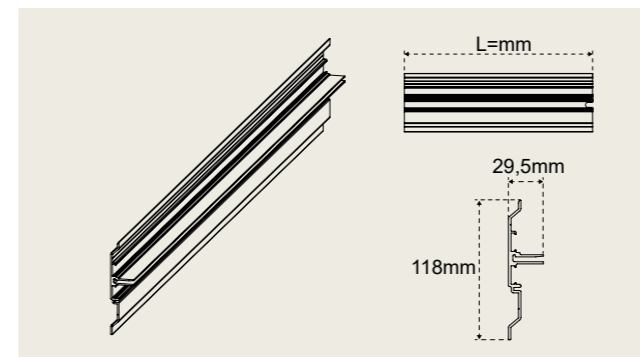
Lamp profile



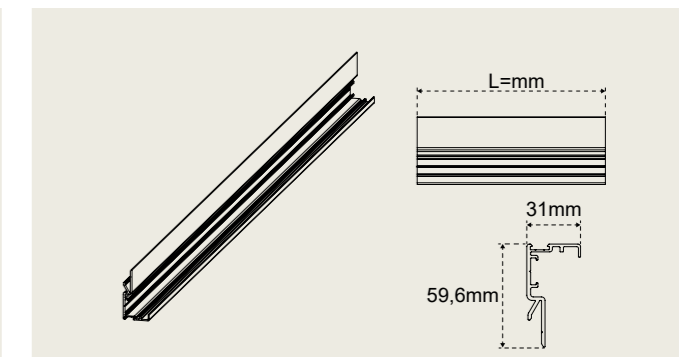
Side profile



Rear profile



Upper and lower profile



Sign

The functional light that furnishes

CE



Style and flexibility. A functional and consistent solution for almost any environment: kitchen, living space, bedroom, bathroom, office, shops. Sign traces a horizontal line of light that divides the room, it follows the architecture of the space and creates a continuous effect of light to beautify various environments.

The structural element, a matt black anodised aluminium profile, can be complemented with a range of accessories and hanging cabinets to help furnish your home or commercial space.



Download our complete Sign Brochure

New accessories

We updated the Sign product range with new accessories.

Cabinets with glass doors (in wood on request), multi-functional modules with light and outlets to recharge your devices, a new lighting mirror and a practical socket module, complete a range of accessories designed for different environments.

Dedicated optics

The light source is designed with fine optics to create an upward wall washer effect and to illuminate the work surface evenly and comfortably.

WALL WASHER EDC

PROFILE FOR ACCESSORY HOUSING

EDC FUNCTIONAL LIGHT



SECTION

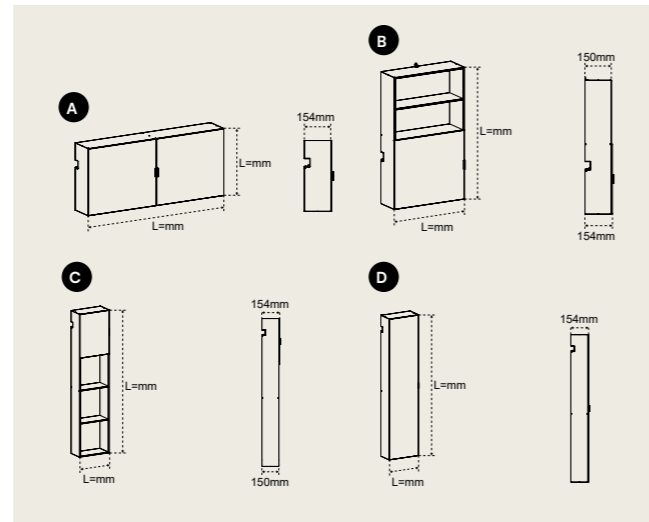


Glass door modules

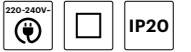
Open modules made of black scratch-resistant brushed aluminium, which can be clicked onto the Sign profile and provided with glass doors.

Doors with different materials on request.

| L&S COD. | DESC. |
|-------------|--|
| 91701240300 | A Horizontal L = 900mm W = 150mm H = 400mm |
| 91701250300 | B Vertical "upper" L = 450mm W = 150mm H = 760mm |
| 91701260300 | C Vertical "under" L = 300mm W = 150mm H = 1300mm |
| 91701270300 | D Vertical "under" L = 300mm W = 150mm H = 1300mm |

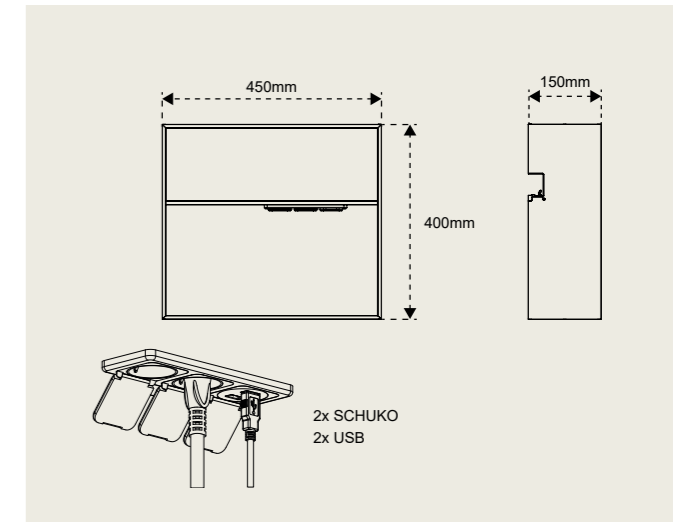


MultiSign



Multifunction module complete with Schuko sockets, USB sockets for charging devices and magnetic surface.

Other configurations available on request.



| L&S COD. | DESC. |
|-------------|--|
| 91701390300 | 2 Socket + 1 USB L = 450mm W = 150mm H = 400mm IN: 220-240 VAC |

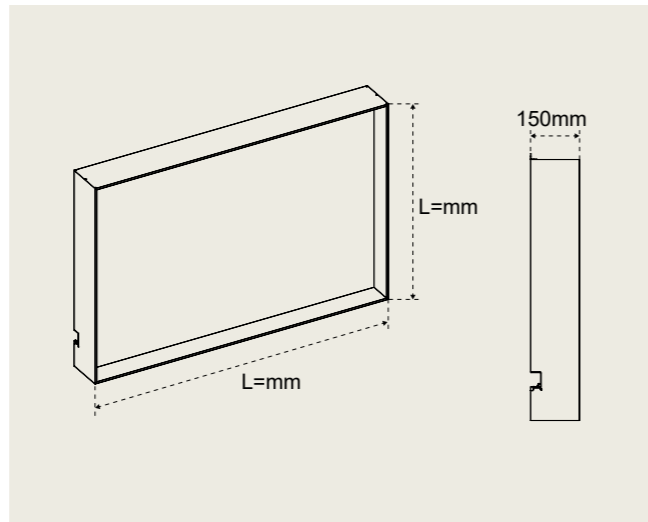


Sign Me



Bathroom mirror complete with touch controls for switching ON and OFF, changing color temperature and anti-fog function.

The light source is the new high efficiency Emotion Dual Color 3000 K - 4000 K LED strip. Sign Me is sold with dimensions 1200x800 mm. Other dimensions available on request.



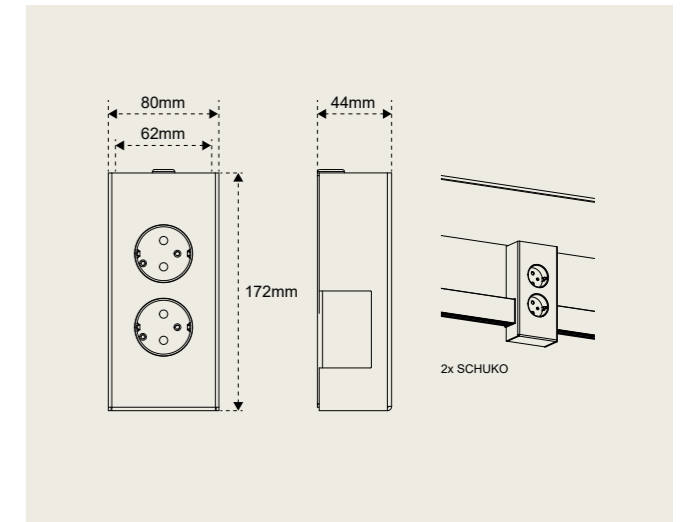
| L&S COD. | DESC. | 03 |
|----------------|--|----|
| 91701430300DMD | L = 1200mm W = 150mm H = 800mm IN: 220-240 VAC Emotion 2700K - 6500K | |



Sign Socket



Socket module complete with 2 Schuko sockets. Under-cabinet application.



| L&S COD. | DESC. | 03 |
|-------------|--|----|
| 91700820300 | 2 Socket L = 172mm IN: 220-240 VAC | |



Lite Track

CE

Electrified track and spotlights

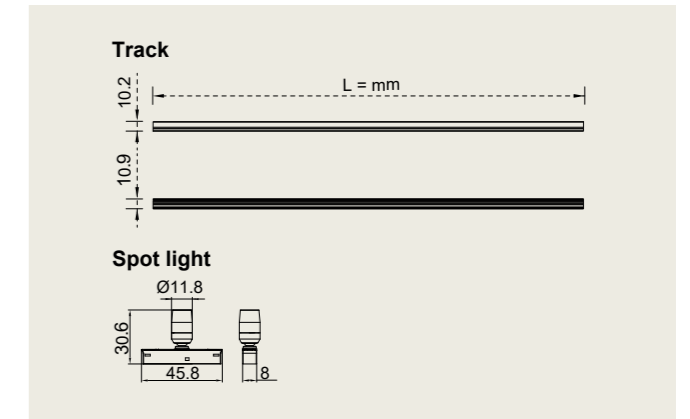


Lite Track is a multi-functional track system that can accommodate spot lights and linear lights, which can be moved within the track to any position. Lite Track provides a clean design thanks to its shape. The light source fits perfectly and puts the focus on the illuminated object. The spot is just 12 mm diameter.

The power connector allows an easy coupling to the driver, not affecting the overall aesthetical appearance.

The spot light has an adjustable head to create light emission where needed. Lite Track and Lite Track spot come in black as standard; other colors are available on special request.

Lite Track



MODELLO

03 1.0 W up to 3 m

SPOTLIGHTS
Warm White 3000 K
Cold White 5000 K

CONTROL AND SUPPLY

CONTROL
Product compatible with L&S remote controls of the Smart line.



SUPPLY
Mec Driver, complete platform of power supplies and receiving modules for light control.



Spacefit

A versatile accessory,
perfect in the kitchen;
for a functional worktop.

CE

New market trends show an increase of 10-15cm in depth of kitchen countertops, compared to the traditional 58cm, but the dimensions of the wall units have remained unchanged. The cabinets being further back are harder to access. The solution is to move the cabinets further out.

The idea of Spacefit is to compensate the gap behind the cabinet: A linear lighting system with a minimal and discreet design and customizable configurations, such as power or USB sockets.

Maximum convenience in the kitchen

The Spacefit elements provide the wall unit with an additional 10 cm depth by adapting to the support racks usually supplied by the manufacturer, ensuring quick and easy installation.

The fixing brackets guarantee a capacity of up to 100kg / bracket, thanks to a specific design for heavy loads and perfect alignment between wall units and / or other furnishing elements.

Homogeneous light with energy saving

The profile has a maximum length of 4m and incorporates the new high-efficiency Emotion Dual Color LED sources (3000 – 4000K), with a homogeneous light effect throughout the installation without the need for housing grooves.



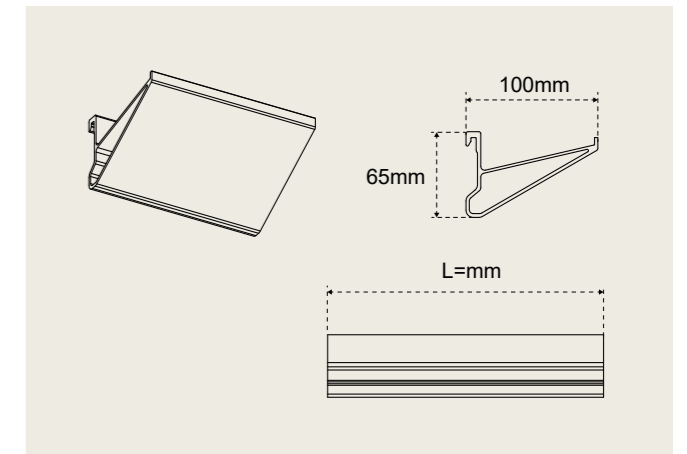
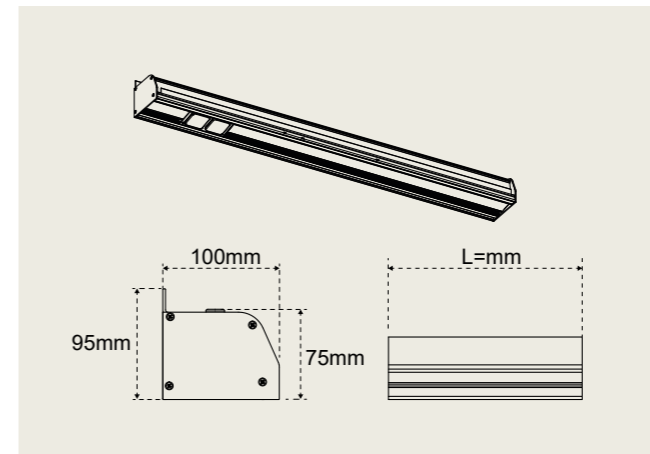
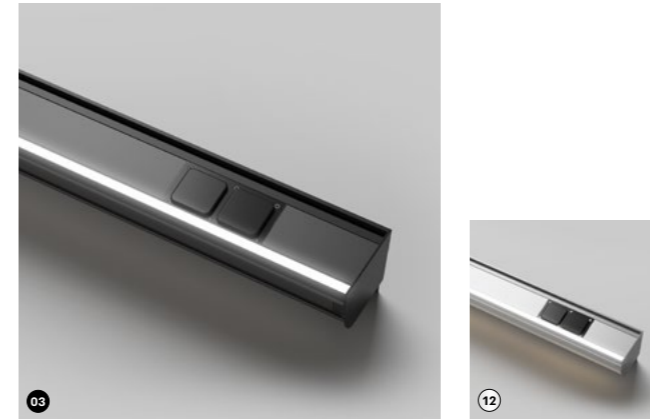
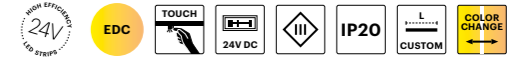


Customized solutions available

We provide various solutions for Spacefit:

- finish
- socket modules: module with Schuko socket, USB socket and Alexa module for voice control
- compatibility with Kessebohmer accessories: two versions, for kitchens without or with riser / backrest, in order to maintain compatibility with the accessory system in every situation
- alignment between the wall units and / or other furnishing elements

Spacefit

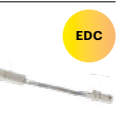


| L&S COD. | DESC. | 09 | 12 |
|----------------|---|----|----|
| 9230009__00D0D | Lamp 2 Socket + 1 USB L=1200mm Strip H.E. EDC 10.2W 24VDC | | |
| 9230008__00D0D | Lamp 2 Socket + 1 USB L=1600mm Strip H.E. EDC 13.8W 24VDC | | |
| 9230002__00AED | Lamp 2 Socket + 1 USB L=1800mm EDC 22.1W 24VDC | | |
| 9230011__00AED | Lamp 2 Socket + 1 USB L=2400mm EDC 29.9W 24VDC | | |

| L&S COD. | DESC. | 12 |
|-------------|---------------------|----|
| 92300101200 | Bracket 1 x L=150mm | |
| 92300031201 | Bracket 2 x L=150mm | |

ACCESSORIES, CONTROL AND SUPPLY

EMOTION JUMPER
(for versions without controller onboard)
The included cable allows for colour temperature variation from 'warm' to 'natural' white (3000 K - 4000 K).



CONTROL
(for versions without controller onboard)
Product compatible with L&S remote controls of the Smart line.



TOUCH SWITCH
(for versions with controller onboard)
ON-OFF function and change of colour temperature.



SUPPLY
Mec Driver, complete platform of power supplies and receiving modules for light control.



Lookup

Suspension lamp



Lookup is L&S' new pendant lamp, in contemporary and functional design with minimalistic features.

It is available in matt black anodized finishing and 3 available standard sizes: 800 mm, 1200 mm, 1600 mm (custom size also available), all carrying direct (downlight) and indirect (uplight) emission – both equipped with the new EDC (3000K / 4000K) high efficiency light sources.

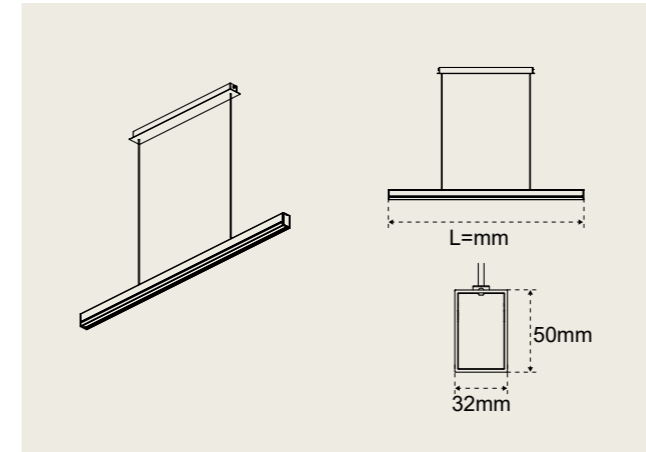
In the Lookup 1 version, you have the option to include a 4-channel remote control + matching driver located in the ceiling rosette.

The Lookup 2 version (available as MONO source), includes a bactericidal and germicidal BLUE light source on the downlight, which is activated via an IRS (Infra-red) sensor that turns off automatically after 2 hours. Use the included Smart 1 remote control to switch between normal and Blue Light and adjust the height of the lamp with an integrated sliding cable to bring the light closer to the surface for sanitizing needs.

Lookup



Available on request



| L&S COD. | DESC. | 03 |
|-----------------|-------------------------------|----|
| 93000010300EMEN | Lamp L=805mm EDC 21.0W 24VDC | |
| 93000020300EMEN | Lamp L=1200mm EDC 27.0W 24VDC | |
| 93000030300EMEN | Lamp L=1630mm EDC 41.0W 24VDC | |

ACCESSORIES, CONTROL AND SUPPLY

EMOTION JUMPER
(for versions without controller onboard)
The included cable allows for colour temperature variation from 'warm' to 'natural' white (3000 K – 4000 K).

CONTROL
(for versions without controller onboard)
Product compatible with L&S remote controls of the Smart line.



INFRARED SWITCH (IRS)
(for versions with controller onboard)
Fast movement for ON and OFF, hold position for 5 seconds for temperature colour change.



SUPPLY
Mec Driver, complete platform of power supplies and receiving modules for light control.



DUAL BLU
(on request)
Dedicated LED light sources that let in one single solution to alternate white light and the antibacterial emission with blue light.

Slimfit

Lighting cover

CE

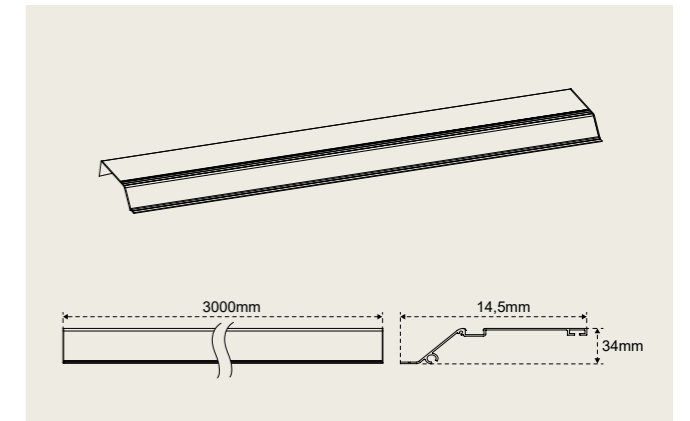


Comfort and convenience.

Slimfit is a functional solution suitable for indoor environments: kitchen, living space, bedroom, bathroom. With the sleek and extremely functional design Slimfit is the perfect solution to hide the wiring and power supplies of the lights installed in the cabinets above the wall units.

Slimfit easily fits into the environment in which it is installed: it also offers courtesy lighting that enhances its use even more.

Slimfit



| L&S COD. | DESC. | 01 |
|--|--|----|
| 12423550100 | Profile L=3000mm + End caps + Brackets | |
| 13202140100 | End caps + Brackets | |
| Light source: High Efficiency LED Strips sold separately | | |

ACCESSORIES, CONTROL AND SUPPLY

EMOTION JUMPER

The included cable allows for colour temperature variation from 'warm' to 'natural' white (3000 K - 4000 K).

EDC

CONTROL

Product compatible with L&S remote controls of the Smart line.

SUPPLY

Mec Driver, complete platform of power supplies and receiving modules for light control.

Mini Tubular IC

CE

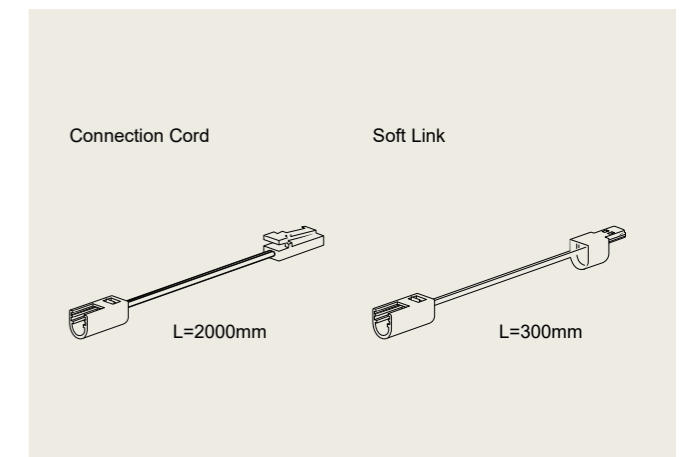
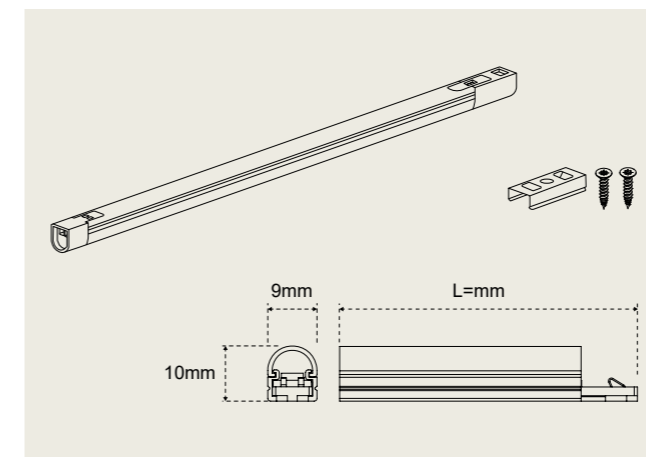
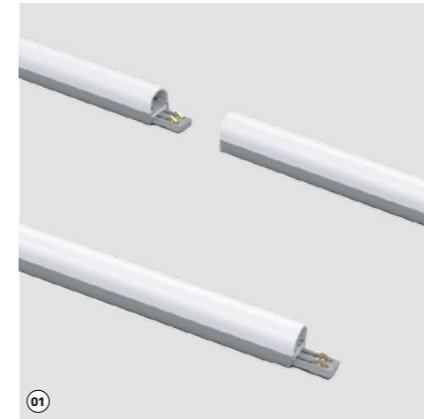
Linear lamp



The new Mini Tubular IC has a direct connection to link multiple fixtures to create a seamless linear light. It offers a wide 120° angle beam. No end cap is needed with the new interconnect technology. Simply slide multiple fixtures together with runs of up to 20ft without any hotspots. Instantly mount the fixture to any magnetic surface with the integrated magnets.

The Emotion Dual Color LED source allows variation from 3000 K to 5000 K. Clips for fixing on wood are included.

Mini Tubular IC



| L&S COD. | DESC. | 01 |
|---------------|-------------------------------|----|
| 27200040100ZE | Lamp L=200mm EDC 2.4W 24VDC | |
| 27200050100ZE | Lamp L=300mm EDC 3.6W 24VDC | |
| 27200060100ZE | Lamp L=570mm EDC 6.8W 24VDC | |
| 27200070100ZE | Lamp L=870mm EDC 10.4W 24VDC | |
| 27200080100ZE | Lamp L=1140mm EDC 13.6W 24VDC | |

| L&S COD. | DESC. | 01 |
|-------------|--------------------------|----|
| 12608650100 | Connection cord L=2000mm | |
| 12608660100 | Soft link L=300mm | |

CONTROL AND SUPPLY

CONTROL
Product compatible with L&S remote controls of the Smart line.



SUPPLY
Mec Driver, complete platform of power supplies and receiving modules for light control.



EMOTION JUMPER (sold separately)
The cable allows for colour temperature variation from 'warm' to 'cold' white (3000 K - 5000 K).



Microline 45^{24V}

CE

Linear lamp

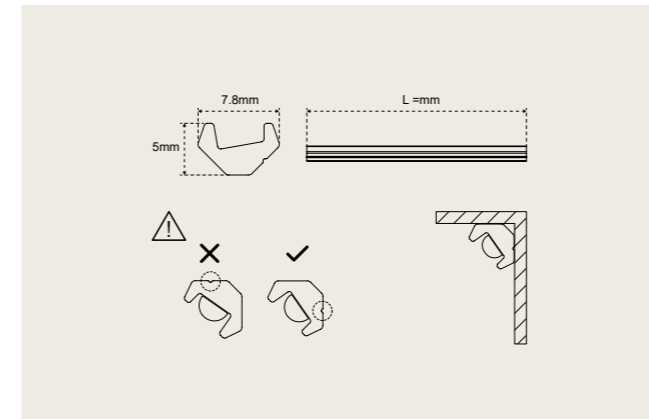
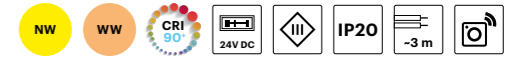


Microline 45, the well-known minimal size linear lamp for glass displays, offers now new features.

With the new Chip on Board (COB) LED Strip the Microline has a diode-free and smooth light output. The light is ideal for inside a display with its small dimensions. The slightly asymmetrical shape reduces the glare.

The length of the profile is customizable. The CE conformity and the UL approval allow an easy distribution in all major markets.

Microline 45^{24V}



| L&S COD. | DESC. | 12 |
|----------------|--|----|
| 24100441200DGN | Lamp L=500mm 4.4W Warm White 24VDC Transparent cable | |
| 24100441200DGN | Lamp L=500mm 4.4W Natural White 24VDC Transparent cable | |
| 24100351200DGN | Lamp L=500mm 4.4W Warm White 24VDC Black cable UL listed | |
| 24100351200DGN | Lamp L=500mm 4.4W Natural White 24VDC Black cable UL listed | |

CONTROL AND SUPPLY

CONTROL
Product compatible with L&S remote controls of the Smart line.



SUPPLY
Mec Driver, complete platform of power supplies and receiving modules for light control.



Zebra

Spotlight

CE

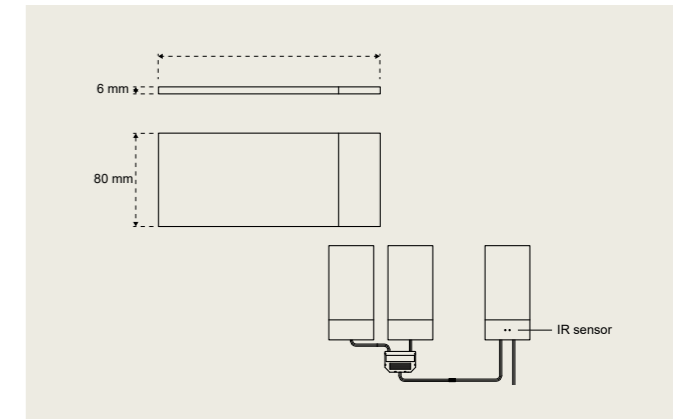


Zebra is a rectangular spot designed to get a homogeneous light flux, to resemble a miniature light panel. The reduced thickness makes Zebra the ideal solution for undercabinet lighting, as well as other applications.

The version with the integrated switch (IRS) can be either be controlled independently or control a series of connected spots.

The mounting is easy with a hidden bracket, which is covered by the black section of the spot. The main body mounts to this part magnetically.

Zebra



| L&S COD. | DESC. | 03 |
|---------------|--|----|
| 92400010300ZN | L=190mm W=80mm Natural White 2.2W 12VDC | |
| 92400020300ZN | IR Sensor L=190mm W=80mm Natural White 2.2W 12VDC | |

CONTROL AND SUPPLY

CONTROLLO
(per versioni senza controller a bordo)
Product compatible with L&S remote controls of the Smart line.



INFRARED SWITCH (IRS)
(for versions with controller onboard)
Fast movement for ON and OFF.



SUPPLY
Mec Driver, complete platform of power supplies and receiving modules for light control.



Magnolia

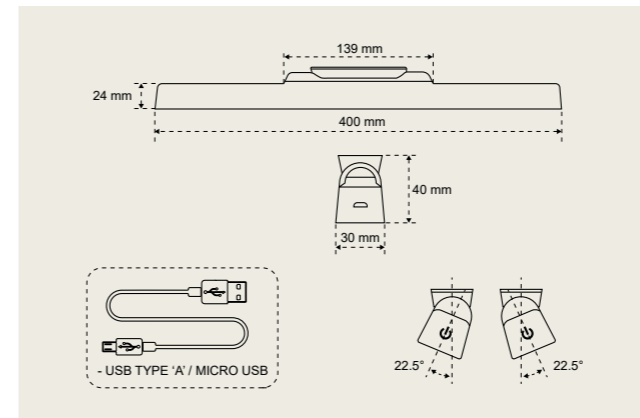
Battery linear lamp



Magnolia is a battery-operated lamp for surface mounting.

After mounting the support to the desired surface with screws or adhesive tape, the lamp can easily be clipped on and off, making Magnolia an independent light source, usable in every situation inside the house. The support can be tilted, to illuminate a wide area. The light can be charged via the included USB cable.

Magnolia



| L&S COD. | DESC. | 01 | 03 |
|--|---|----|----|
| 9250001_00ZN | Touch sensor L=400mm W=30mm H=40mm Natural White 3.8W | | |
| Battery-operated (estimated about 4 hours autonomy at 100% dim level - approximated non-binding value) | | | |

CONTROL AND SUPPLY

CONTROL
(for versions without controller onboard)
Product compatible with L&S remote controls of the Smart line.



TOUCH SWITCH
(for versions with controller onboard)
ON-OFF function.



SUPPLY
Mec Driver, complete platform of power supplies and receiving modules for light control.



Information in this catalogue may be subject to typos and potential errors. Products, features, data and dimensions reported in it are not legally binding and may be changed by the company at any time without prior notice.

Find our full General Catalogue
and more in our download and
product section online at
www.ls-light.com



**DOWNLOAD
THE CATALOGUE**

**L&S ITALY
SPA**

Via L. Zanussi, 8
Maron di Brugnera (PN)
Italy
+39 0434 616611

info@ls-light.com

**L&S DEUTSCHLAND
GMBH**

Daimlerring, 34
Rödinghausen
Germany
+49 5223 8790-0

info@ls-deutschland.de

**LS LIGHTING
EQUIPMENT**

(Shanghai) Co., Ltd.
No. 255, LongPan Rd.,
Malu Town,
Jiading District, Shanghai
China
+86 021 69 15 67 91

info.china@ls-light.com

**L&S LIGHTING
CORPORATION**

1505 Pavilion Place, Suite A
Norcross, Georgia
USA
+1 877 877 0757

info.us@ls-light.com

