

Sicam 2024

Product News

SUSTAINABLE DESIGN
AND TECHNOLOGY
FOR YOUR PROJECTS.

ELECTRIFIED
MODULAR SYSTEMS,
SMART HOME
READY PLATFORM,
HIGH EFFICIENCY
LIGHTING,
SPECIALTIES AND
LINEAR PROFILES

Sicam 2024

Product News

SUSTAINABLE DESIGN
AND TECHNOLOGY
FOR YOUR PROJECTS.

ELECTRIFIED
MODULAR SYSTEMS,
SMART HOME
READY PLATFORM,
HIGH EFFICIENCY
LIGHTING,
SPECIALTIES AND
LINEAR PROFILES

10 YEARS WARRANTY

SUSTAINABLE DESIGN

SMART HOME ECOSYSTEM

IN-HOUSE TESTING LABORATORIES

INNOVATIVE PATENTED SOLUTIONS


**INTEGRATION
WITH NEW TECHNOLOGIES AND PROTOCOLS**

INTERNATIONAL CERTIFICATIONS

**GLOBAL PLATFORM
FOR PRODUCTION AND LOGISTICS**

Light for life

Embrace
L&S Quality



We produce lighting systems that integrate into furnishings to evoke emotions and enhance the well-being of people's daily activities.

We create lighting solutions that enhance design freedom and individual experience.

Sustainable design

We have embarked on a strategic journey to implement product development processes and activities inspired by the principles of the circular economy, collaborating with universities, designers, and research centers: a true investment for the future. At the product level, we have focused on improving the group's "core" products:

- the development of a new generation of high-efficiency LED strips that enable energy savings of up to 50% compared to the previous version;
- the Mec Lite platform, which reduces the use of components and minimizes bulkiness, thanks to the integrated power supply driver;
- a new all-in-one sensor that offers three functions in a single solution;
- the integration with smart home ready technologies for efficient remote management of lighting.

These improvements reflect our commitment to sustainable innovation and technological efficiency.

Innovative patented solutions

Thanks to our expertise in Research and Development and the experience gained in integrating lighting into interior furnishings, we are able to transform your ideas into projects, prototypes, and finished products, working in constant collaboration with the technical departments of our clients. We are the ideal partner for the co-development of lighting solutions, providing added value to your products. The 10 patents obtained for new developments testify to our commitment to innovation.



HI LINE

Integration with new technologies and protocols

We have integrated new technologies, from gesture control with the Gesto light to the Mec Lite platform, which ensures maximum compatibility with smart home management systems. It is now easier to choose the configuration that best fits your needs, thanks also to the new modules compatible with Zigbee and Matter protocols.

Smart Home Ecosystem

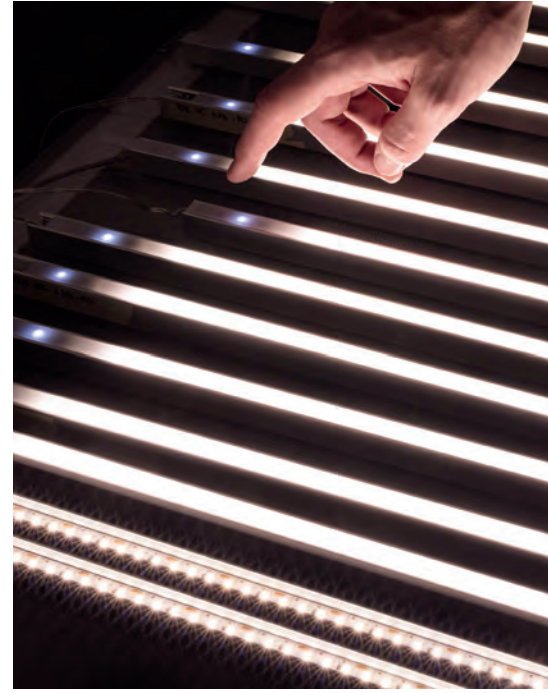
With the Mec modular system, we manage lighting easily and offer various options for light control based on needs: from a simple touch of the button connected to the linear light, to the new sensor with three integrated functions (motion, infrared, and touch), up to remote management via transmitter, app, or voice commands. Controlling and personalizing the light becomes extremely easy, thanks to integration with voice assistants and smartphones.



WIDE



Thanks to our in-house expertise, we are able to meet the needs of diverse users and markets, always ensuring the highest quality.



10 years warranty

Quality in design, careful selection of materials, attention to processing and assembly phases, consideration of lighting effects, and project development in collaboration with architects and designers: our commitment in the lighting sector goes beyond just the product. We are tasked with providing solutions that harmoniously combine functionality, emotion, eco-sustainability, well-being, and safety.

International certifications

Our products are designed to be easily certifiable according to all major market standards, thus reducing time-to-market. New L&S products are engineered from the outset to effortlessly meet the requirements set by current regulations, anticipating future needs and ensuring quick compliance with regulatory standards.

In-house testing laboratories

We constantly invest in diagnostic and analytical tools for our in-house laboratories to ensure the safety and reliability of our products through continuous testing. We also provide all necessary documentation to obtain any type of certification, offering real-time support for regulatory updates as well.

Global platform for production and logistics

Our international presence, with locations in Europe, China, and the United States, allows us to be integrated into the main furniture manufacturing districts in their respective countries. We offer a global logistics, production, and service platform, ensuring the sharing of know-how. This represents a competitive advantage for both those already operating internationally and those looking to expand into the global market.

Index

| | | |
|---------------------------------|----|-----------------|
| Electrification systems | 10 | Hi Line |
| | 18 | Thin Line |
| Modular systems | 22 | Sign |
| | 30 | Wide |
| Gesture controlled lamps | 34 | Gesto |
| Linear luminaires | 38 | Moove |
| | 42 | Micro 4 |
| Spotlights | 44 | Focus |
| Power supply and control system | 46 | Mec <i>Lite</i> |
| | 52 | Smart Control |
| | 60 | Lite Modules |
| | 62 | Lite Sensor |
| | 63 | Lite Remote |
| LED Reels and accessories | 64 | COB Reels |

Hi Line

**PATENT
PENDING**

A wall of opportunities

The electrification system for horizontal paneling that integrates linear lighting, creating true blades of diffuse light.

The new structural aluminum profiles conceal a practical track electrification system that allows for the integration of elegant aluminum shelves with built-in lighting into the paneling. This is an aesthetic and functional solution that eliminates the need for visible cables and simplifies the installation process.

Hi Line is a customizable and versatile system that enhances living and exhibition spaces with the option to integrate aluminum storage modules, linear lighting, or Solaris light panels to create captivating light effects.

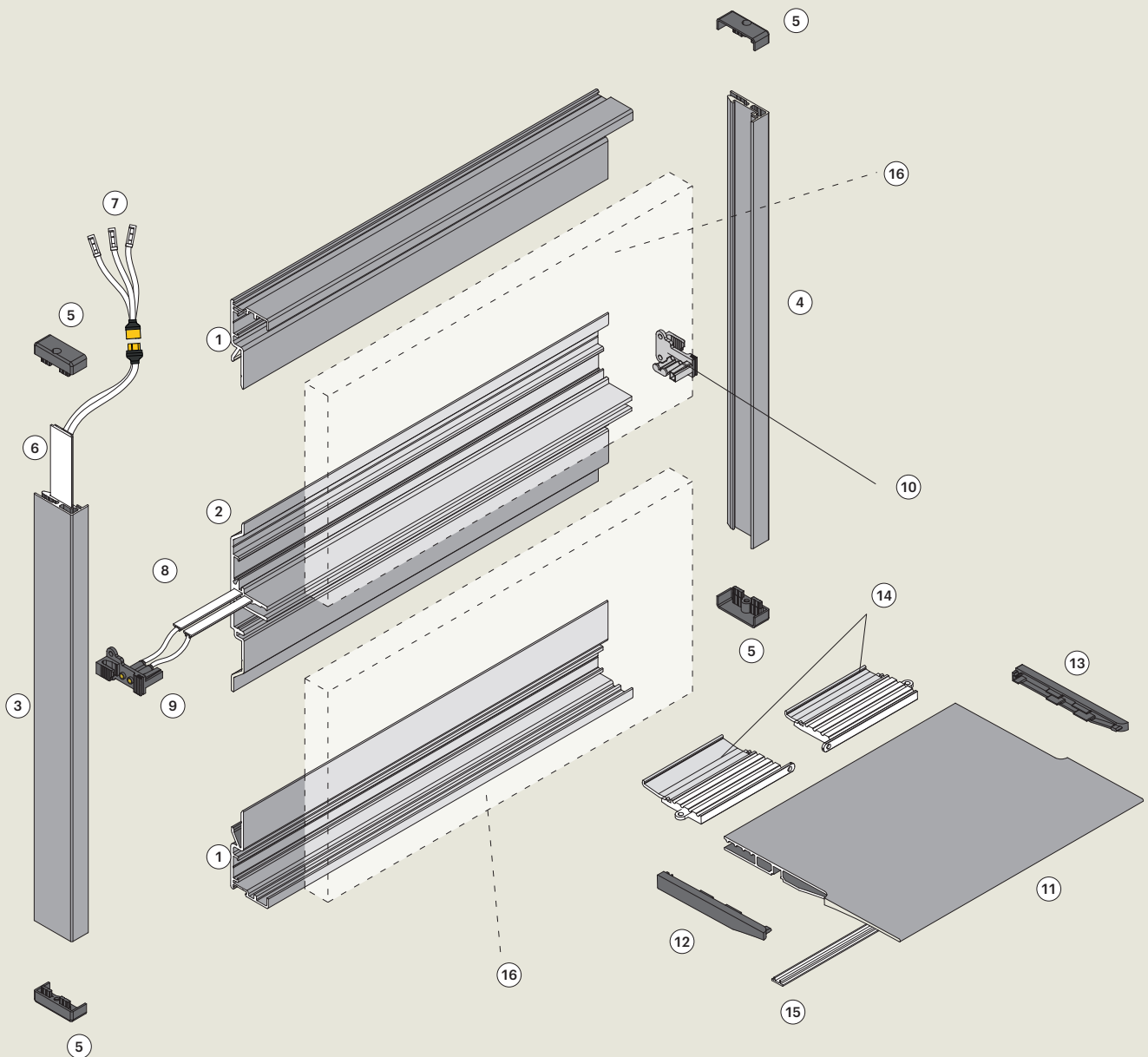
IDEAL FOR

- every residential environment
- retail

FEATURES

- modular and versatile
- easy installation
- cable-free electrification of shelves
- decorative lighting and furniture element

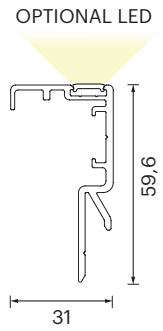




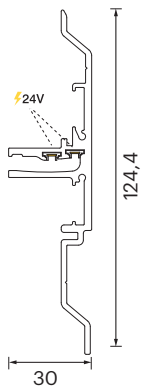
Hi Line system component catalog

- | | |
|--|--|
| 1. Closing profile (upper and lower) | mounting support for the left side profile (3) |
| 2. Electrified back profile | 10. Mounting support for right side profile (4) |
| 3. Electrified left side profile | 11. Aluminum shelf |
| 4. Right side profile | 12. Left side cap for shelf (11) |
| 5. End cap for side profile (3/4) | 13. Right side cap for shelf (11) |
| 6. 1x Double electrified track for left side profile (3) | 14. Support hooks / electrification contacts for shelf (11): insertion into back profile (2) |
| 7. Connection cable to driver | 15. Polycarbonate cover for shelf LED (11) |
| 8. 2x Single electrified tracks for back profile (2) | 16. Wooden backs (by the customer) |
| 9. Connector with spring contacts welded to electrified track (8) and mounted on back profile. It functions as a | |

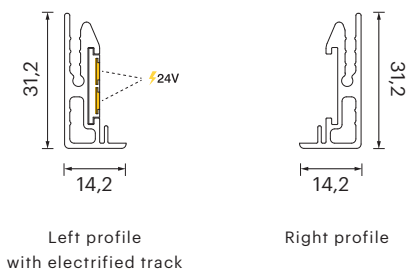
Closing profile

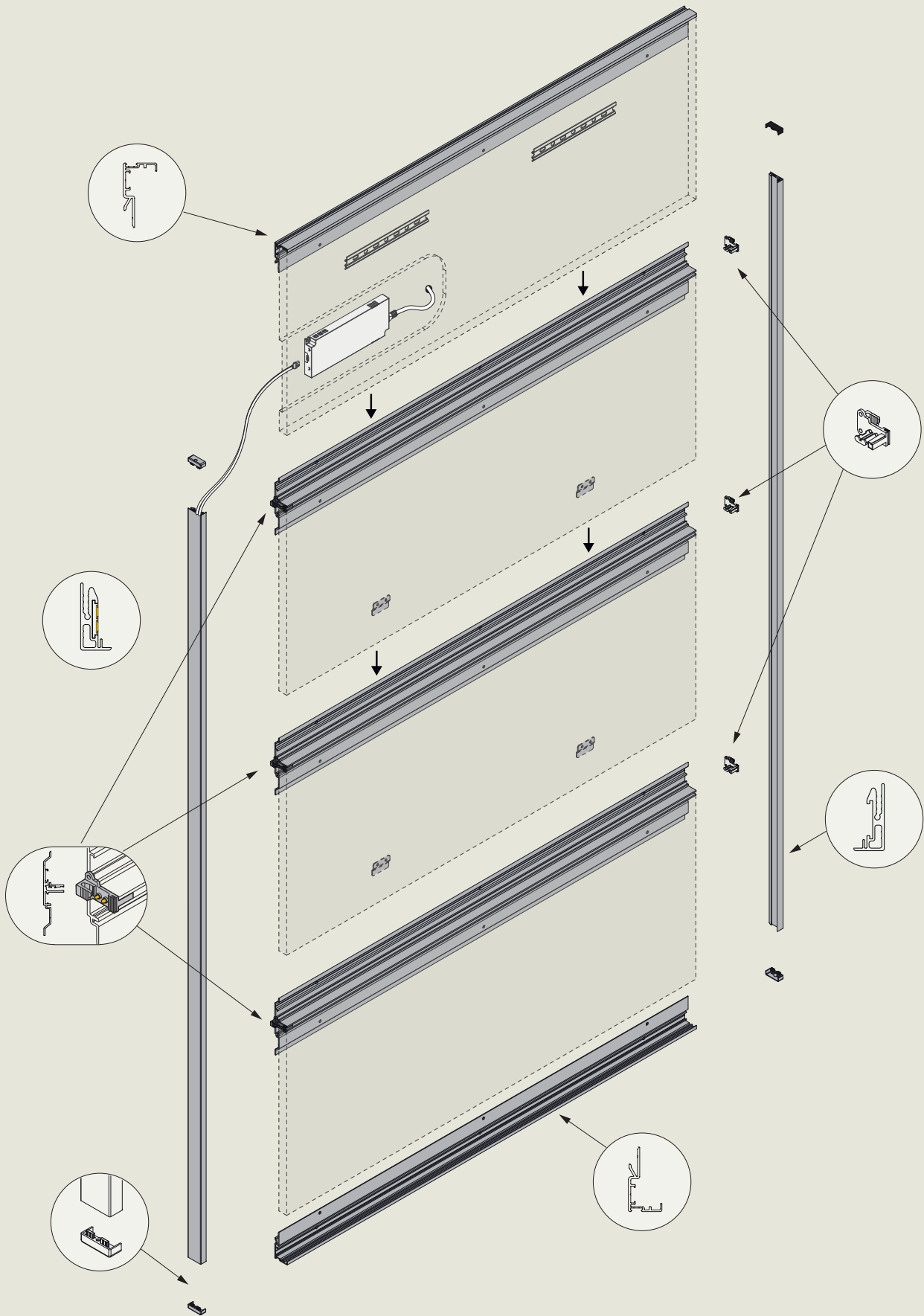


Electrified back profile

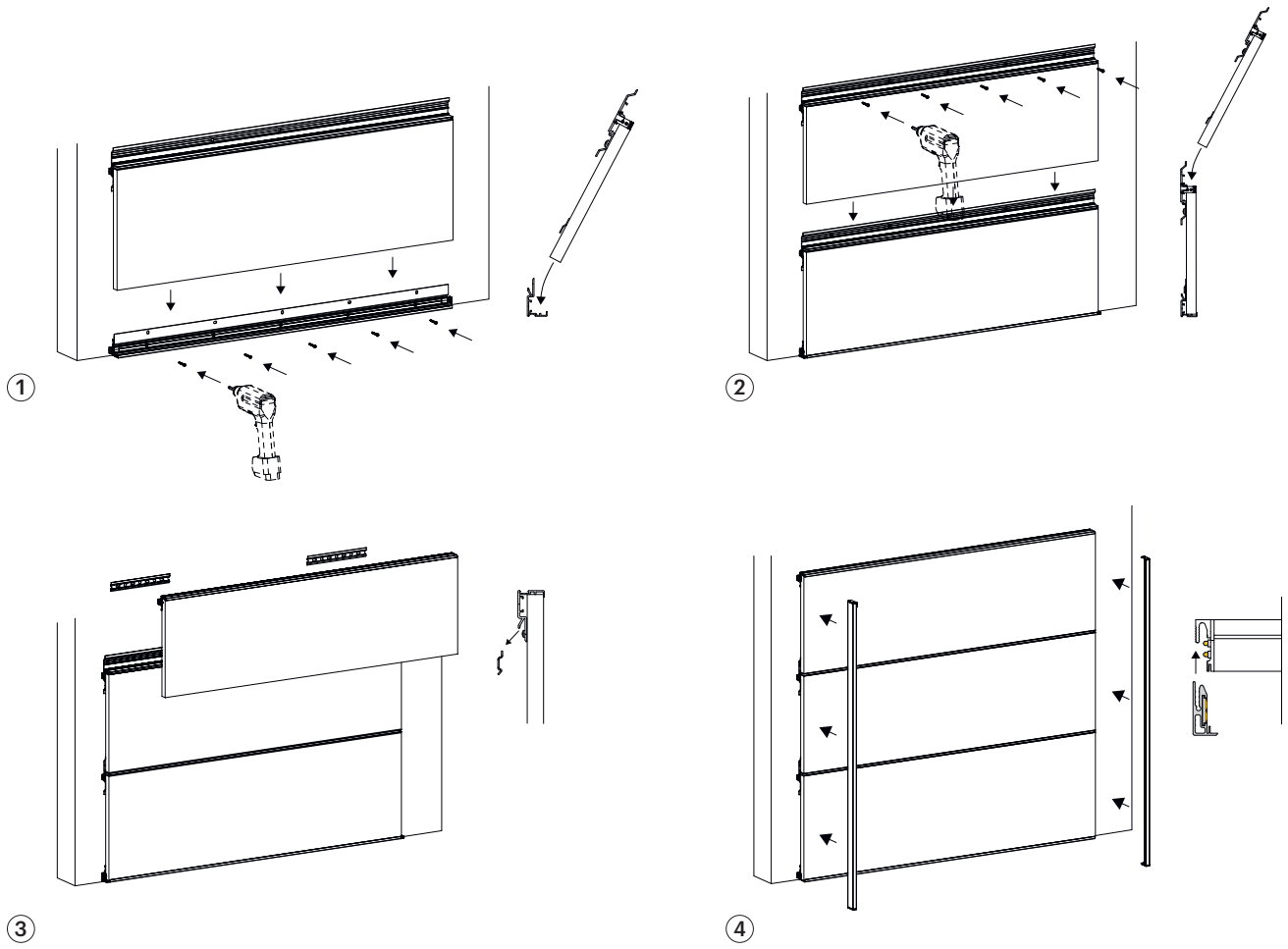


Side profile

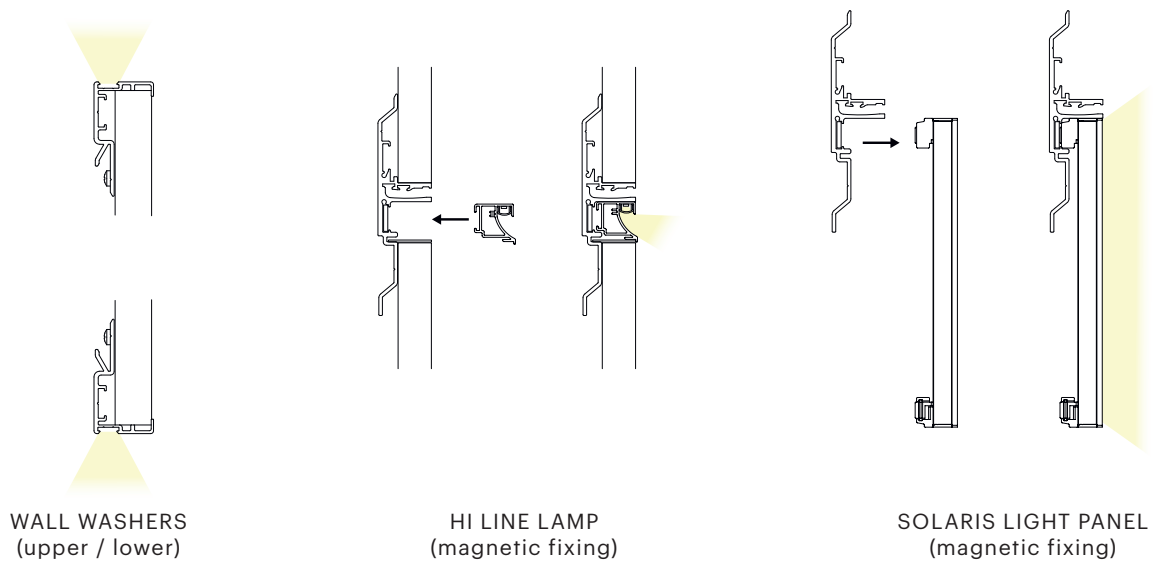


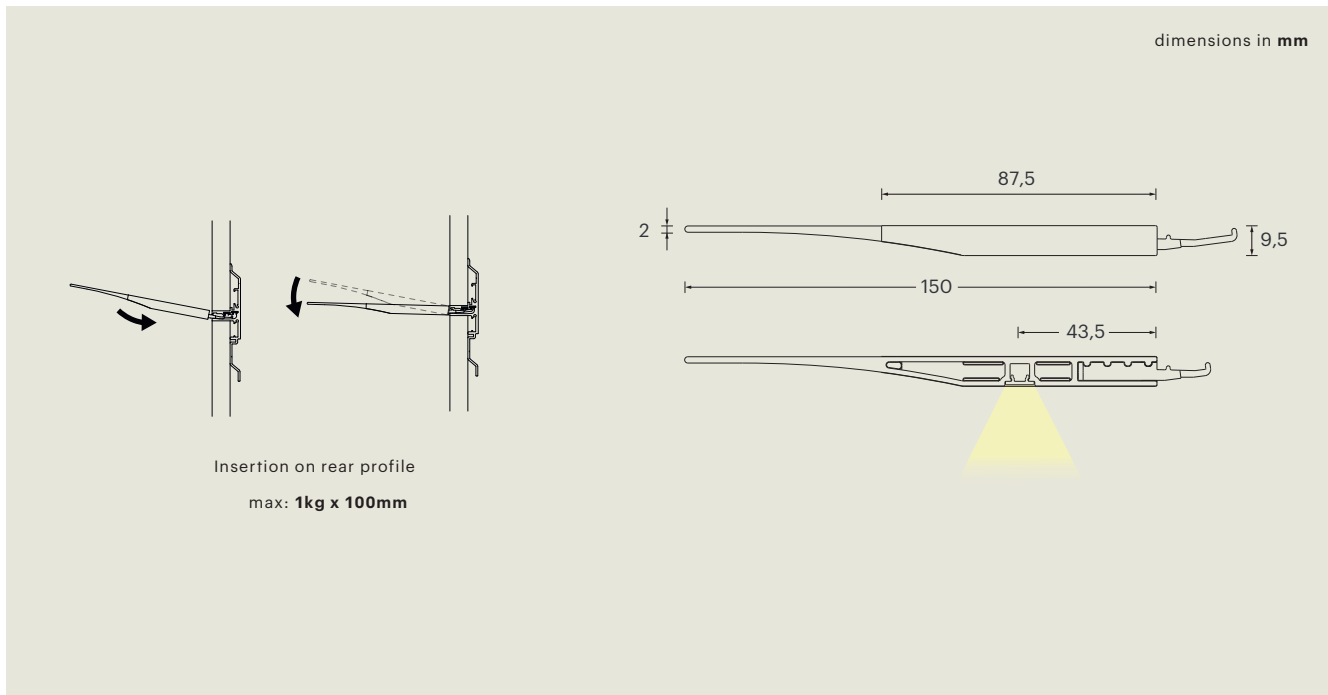


Installation example



Lighting solutions





Electrified lighting shelf

Flat electrifiable shelf complete with LED and support hooks/ electrification contacts for insertion into the back profile. Made of scratch-resistant brushed aluminum in black color.

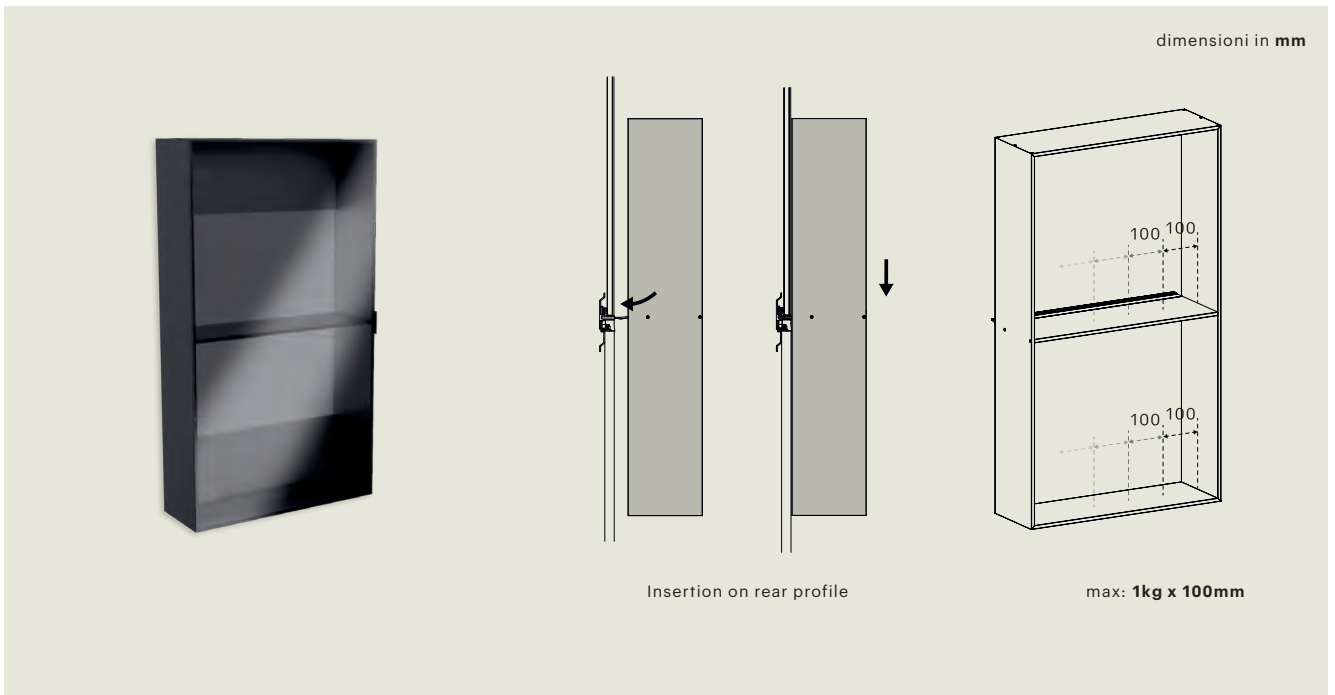
The EDC Dual Color LED source allows for variation from 3000K to 4000K.



10W/m - 24V DC

L= 600 / 900 / 1200 / 1500mm





Vertical module with glass door

Vertical module complete with a single smoked glass door, made of scratch-resistant brushed aluminum in black color, installable by fitting onto the back profile.

2x Compartments 450 x 150 x 800mm



Vertical module

Open vertical module, made of scratch-resistant brushed aluminum in black color, installable by fitting onto the back profile.

3x Compartments 450 x 150 x h 1200mm



Thin Line

PATENTED

A wall of opportunities

The innovative modular electrified system for boiserie and vertical panels patented by L&S, integrating functional new accessories

Directional lighting, positioned only where necessary, enhances walk-in closets, living areas, and commercial spaces.

With the integration of Lite Track rail, now compatible with Thin Line, it's possible to use new lighting solutions, such as practical magnetic-mount adjustable micro-spotlights that emphasize the illuminated object.

The new mounting system for backs is an aesthetic and functional solution that allows for easier and more precise installation, reducing the gap between panels.

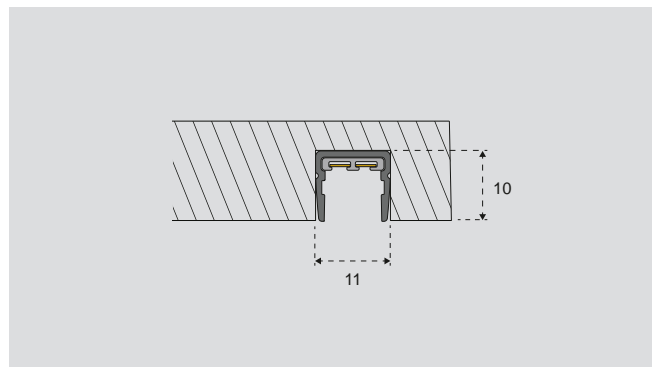
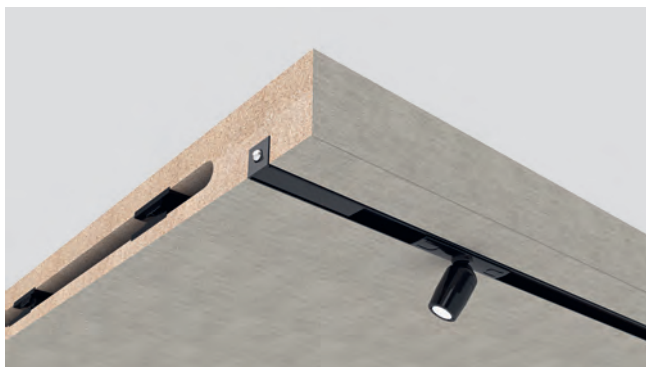
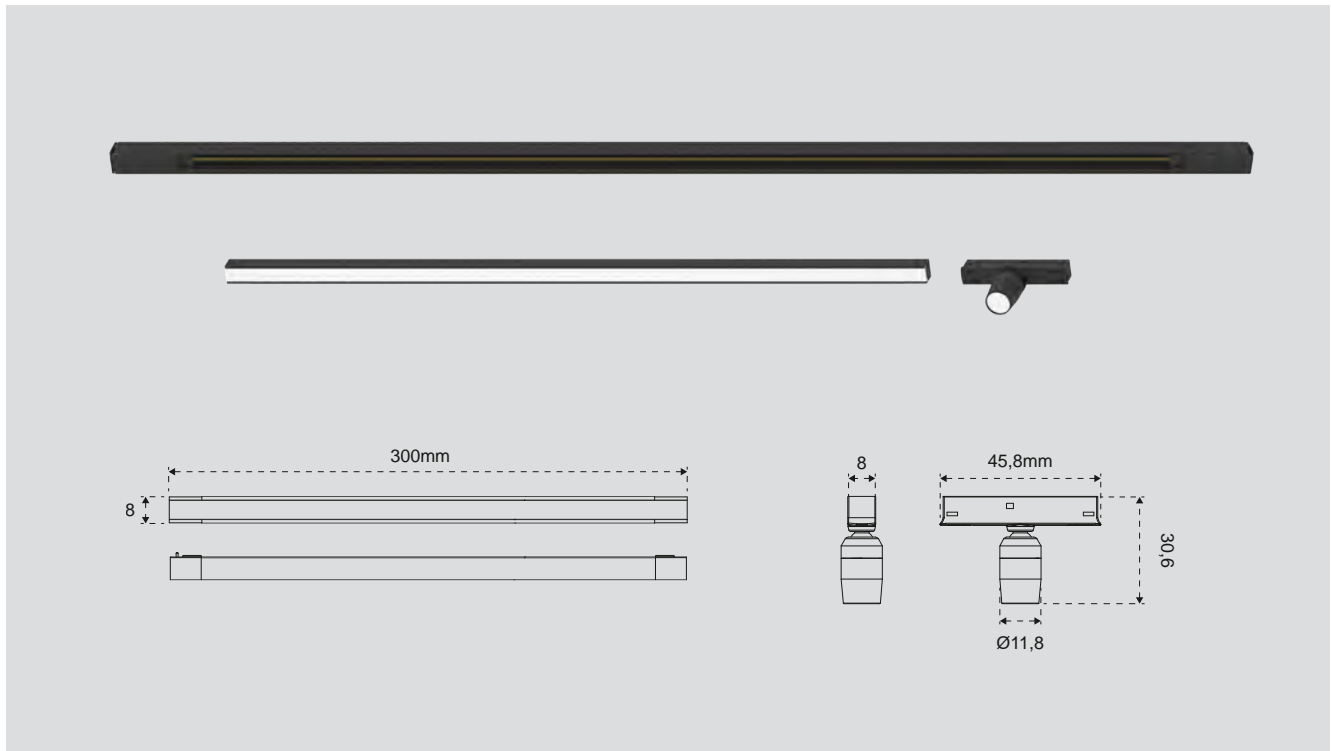
IDEAL FOR

- clothing
- eyewear
- fashion accessories
- cosmetics
- pharmacy
- luxury retail

FEATURES

- modularity
- versatility
- no need for connectors





Electrified track for adjustable spotlights with magnetic mounting

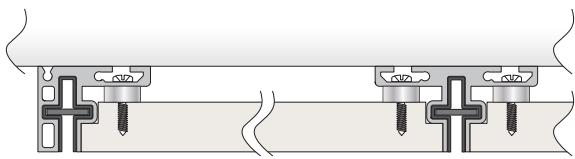
Directional lighting, positioned only where necessary: the Lite Track electrified rail, now available with integrated spring electrification contacts, is the ideal solution to conceal the light source and focus attention on the illuminated object. It features recessed installation with only 11mm in width and an elegant black finish, allowing for the easy accommodation of miniaturized adjustable spotlights and linear lamps through magnetic mounting.

Easier and more precise mounting of backs

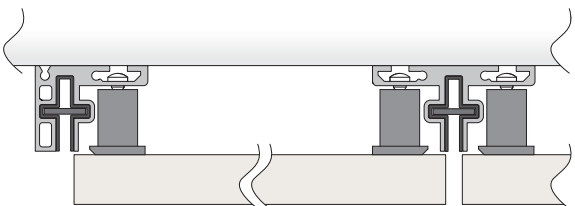
Easy and quick to install, the new plastic spacer greatly simplifies the sliding and fitting assembly of the panel backs onto the vertical supports: it is securely screwed to the back of the panel and accurately aligned using the removable corner template.

An aesthetic solution that reduces the gap between panels

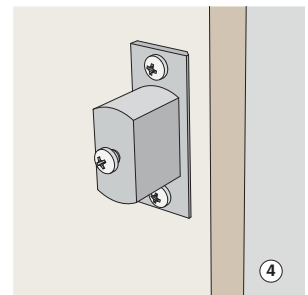
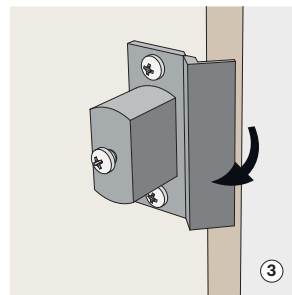
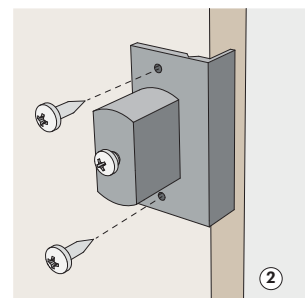
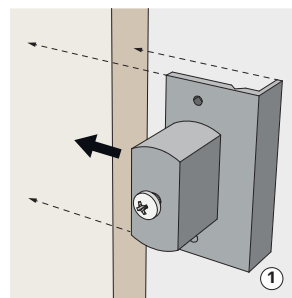
The spacer allows for the installation of panels in a forward position, overlapping the aluminum support, which is completely concealed. This is an aesthetic and functional solution that reduces the gap between panels, creating an elegant continuous surface effect, with the option to use thick panels without the need for edge finishing.



(A) Standard installation with visible vertical support



(B) Installation with plastic spacer



Sign

Michele Marcon Design

Shape and finish

Sign once again stands out for its elegance and versatility, offering an even more unique combination of light and furniture.

A new range of accessories designed in modern shapes with sophisticated materials such as smoked glass and matte black metal to enhance the horizontal light bar.

A new module with a curved line, Sign Round, that allows light to gracefully follow the shapes, offering new aesthetic and functional possibilities for every environment.

IDEAL FOR

- any indoor environments
- damp locations (IP44)

FEATURES

- versatile and functional
- easy installation
- range of accessories and cabinets
- furnishing light



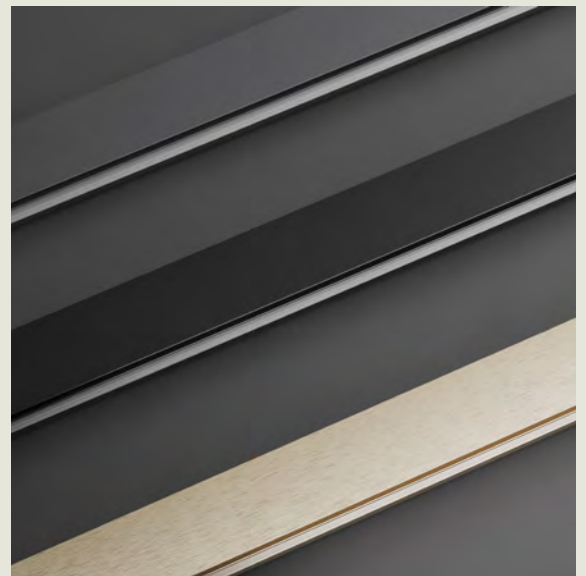






New modern and elegant aesthetic

Sign is renewed and complements the classic brushed black with new elegant finishes such as Champagne and Anthracite Grey. It also introduces new storage modules with rounded corners to the range, which are decorative and visually striking.



Horizontal module - Radius 20mm

Open vertical module, made of aluminum, installable by fitting onto the Sign profile.

| | |
|-----------------|-------------------|
| 2x Compartments | 900 x 400 x 150mm |
|-----------------|-------------------|



Vertical module - Radius 20mm

Open vertical module, made of aluminum, that can be installed by fitting onto the Sign profile.

| | |
|-----------------|--------------------|
| 4x Compartments | 300 x 1300 x 150mm |
|-----------------|--------------------|



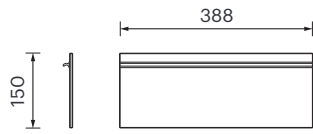
Sign Round Mirror - Radius 60mm

Bathroom mirror complete with touch controls for on/off, color temperature change, and anti-fog function. Equipped with high-efficiency lighting, Emotion Dual Color 3000K-4000K.

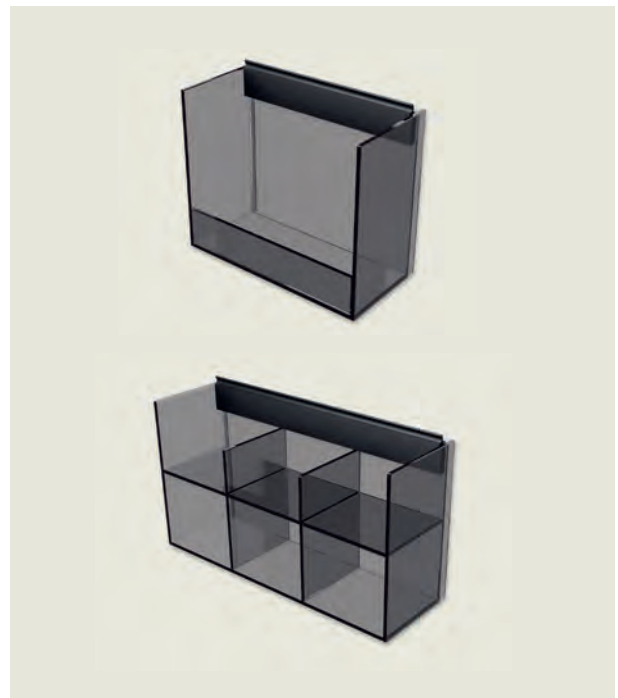
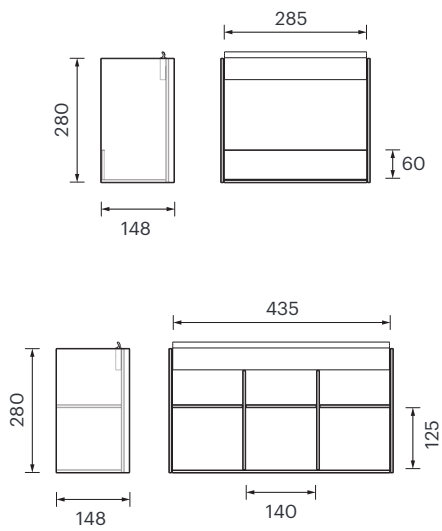
| |
|-------------------|
| 900 x 600 x 150mm |
|-------------------|



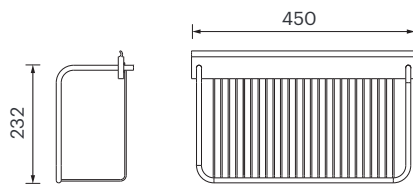
Glass shelf



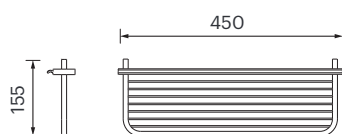
Glass spice holders



Metal wire cantilever shelf



Metal wire shelf





Wide

Enhance your space

The perfect solution to transform the backpanel of the worktop into a practical illuminated functional wall

Wide combines technology, design, and practicality, making it ideal for modern kitchens where aesthetics and functionality coexist harmoniously.

It perfectly meets the needs of those who use the kitchen thanks to its versatility and customization capabilities: it offers functional accessories such as suspended aluminum storage modules, shelves, hooks, and roll holders, optimizing space and keeping everything within reach.

IDEAL FOR

- kitchen

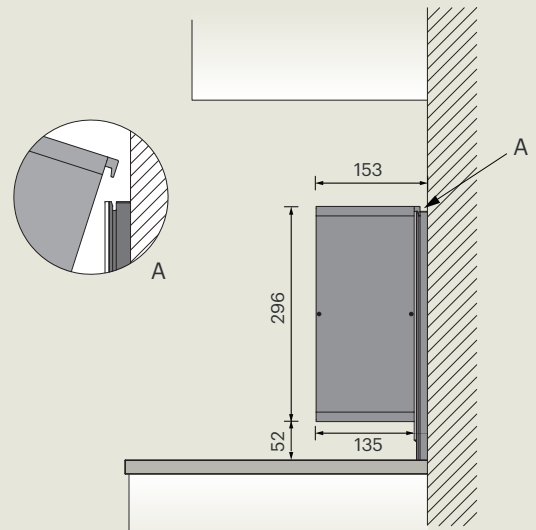
FEATURES

- customizable on request
- range of accessories and cabinets
- furnishing light



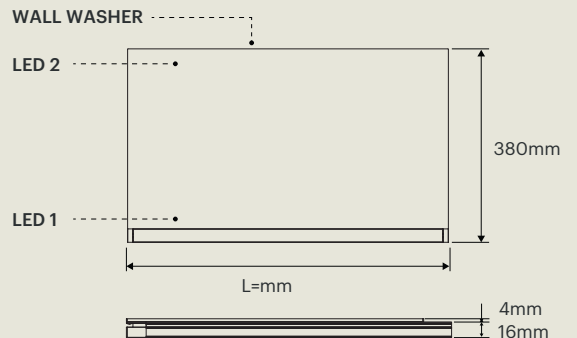
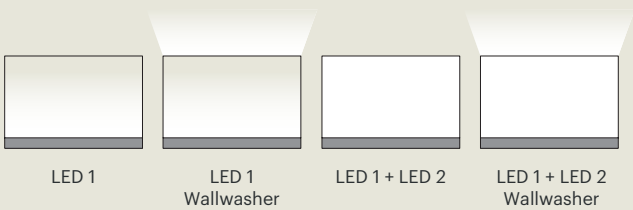
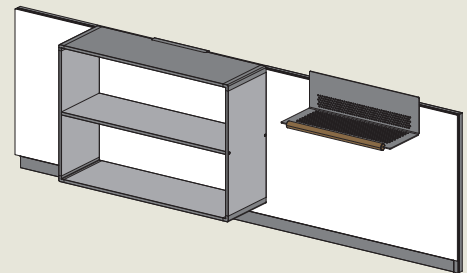
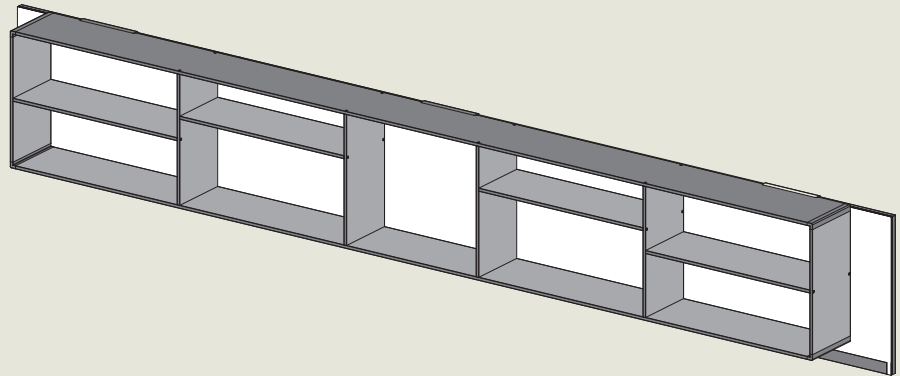
Practical suspended attachment for modules and accessories

All WIDE accessories easily and securely attach to the illuminated backpanel and can be moved freely. The aluminum modules remain suspended about 5 cm above the work surface.



Customizable for every need

The illuminated backpanel can be custom-made up to 3 meters in length, with various options for internal lighting or wall washing. The aluminum storage modules can be made as individual, adjoining units or as a single customized solution, allowing for visually striking and decorative configurations.



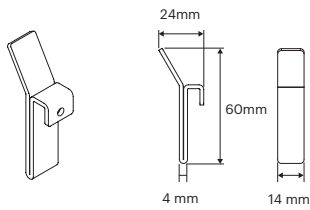
WIDE



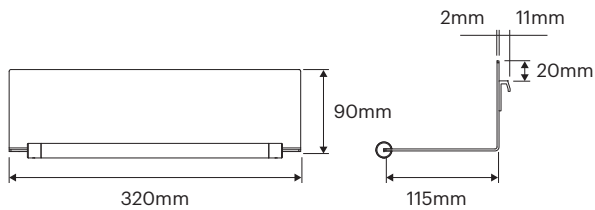
Illuminated backpanel with a black aluminum frame; customizable up to 3 meters; designed for accommodating kitchen accessories and storage modules. The EDC Dual Color LED source allows for a variation from 3000K to 4000K.



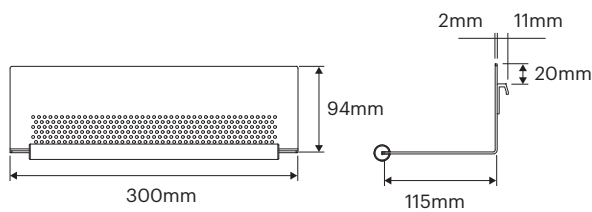
Hook



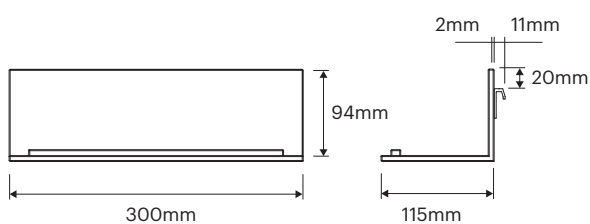
Metal roll holder



Metal shelf



Glass shelf



Gesto

**PATENT
PENDING**

Handy! Hand control

Smart lighting with innovative technology for gesture control of light in the kitchen.

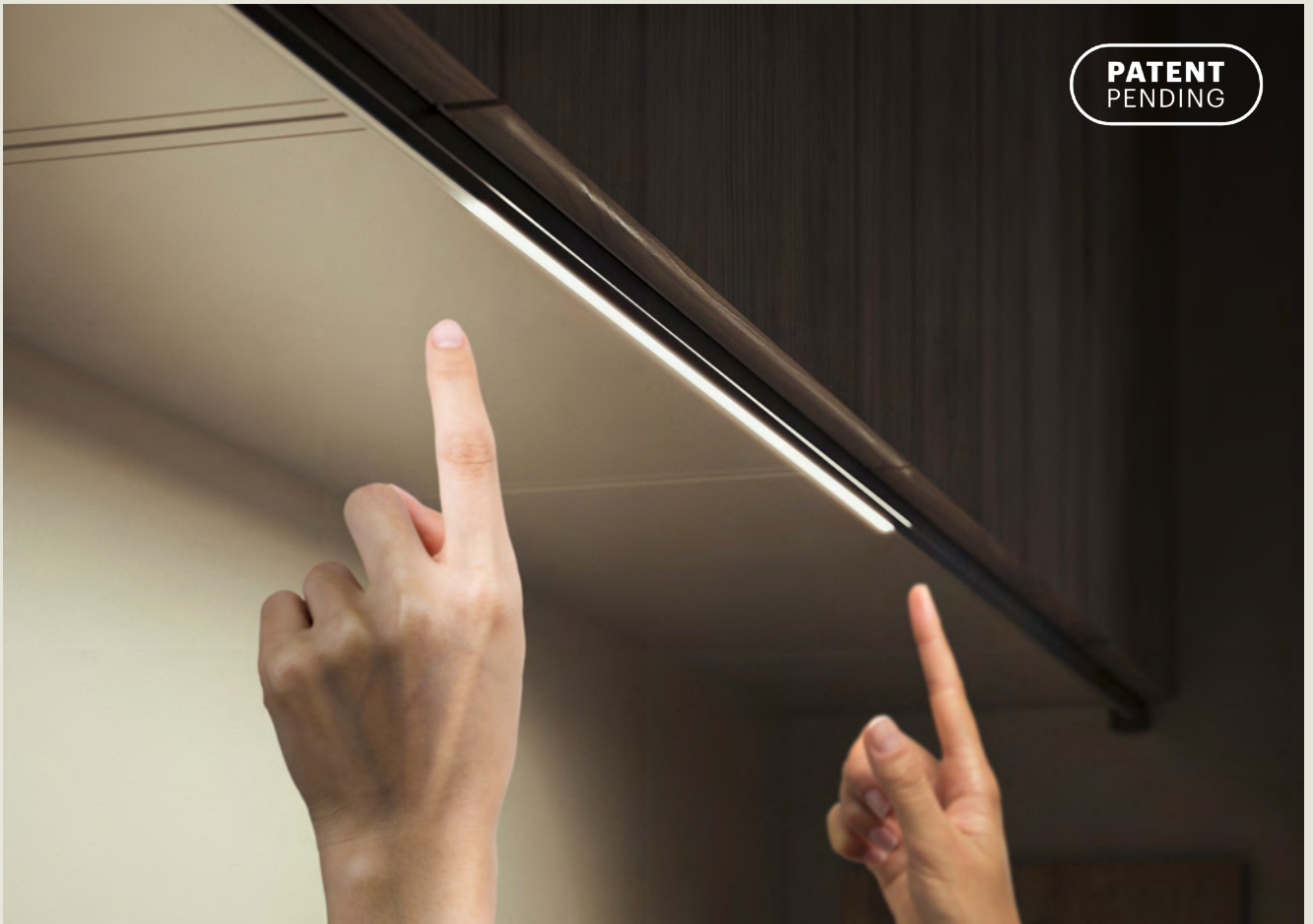
Gesto is the linear under-cabinet lamp that responds to your movements, transforming kitchen lighting into an interactive experience. A perfect combination of functionality and design, Gesto incorporates special sensors with motion detection technology at both ends: the lamp turns on, off, and adjusts with a simple gesture of your hands, allowing you to easily customize the position and width of the beam of light to create the illumination you need.

IDEAL FOR

- kitchen

FEATURES

- gesture control
- directional LED
- functional lighting







Moove

Cut, connect, create!

Refined design and innovative features to enhance the furniture and meet any installation requirement

Recessed linear lamp made of aluminium, ideal for enhancing any space: refined design and innovative features make Moove a versatile cutting edge lighting system. The aluminium profile, 3m long, incorporates a state of the art LED strip, without modules: it is therefore possible to cut the lamp to the millimeter without damaging the light source. The luminaire is easily powered via a "plug&play" connector integrated within the profile's end cap; the polycarbonate screen, inclined and retracted for effective anti-glare effect, can be easily removed and reoriented to change the direction of the light beam, so meeting any installation requirement.

IDEAL FOR

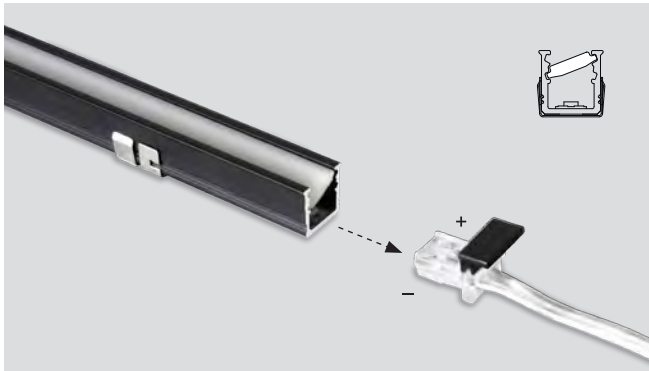
- any residential environment

FEATURES

- "plug&play" system
- easy installation/replacement
- cuttable to size
- changeable light beam direction



SCREEN ORIENTATION CHANGE



① Remove the wired power connector



② Take off the screen

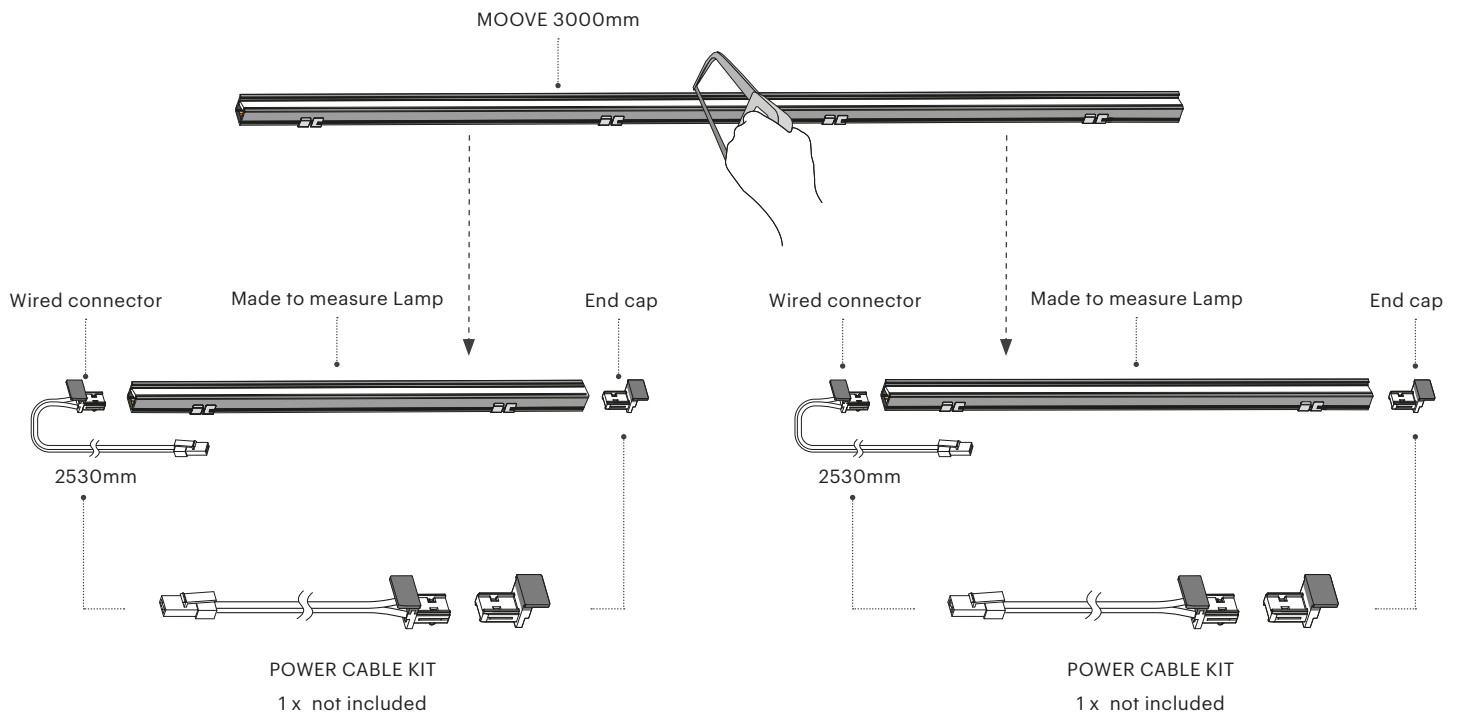


③ Rotate and re-insert the screen



④ Plug in the wired power connector

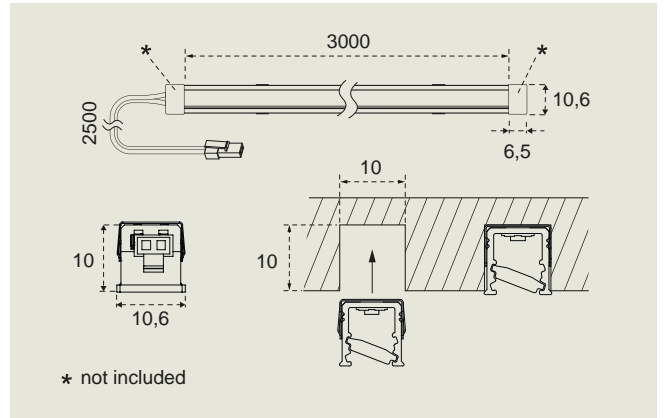
CUTTING THE LAMP TO MEASURE



Moove



03 Black



MOOVE - EDC - 24V DC **DUAL COLOR - 12W/m**

03 **514100176** 3000mm 3000K+4000K &

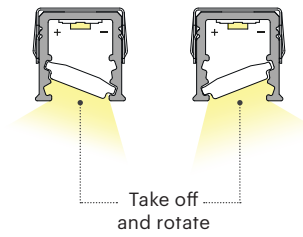
N°12 metal fixing clips included
Power cable KIT **not included**

MOOVE - 24V DC **10W/m**

03 **514100172** 3000mm 3000K ww

03 **514100175** 3000mm 4000K nw

N°12 metal fixing clips included
Power cable KIT **not included**



ACCESSORIES, POWER SUPPLY AND CONTROL

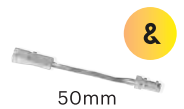
PLUG&PLAY CONNECTOR

The end cap terminal integrates the power connector with 2530mm cable, allowing easy installation/replacement of the luminaire



EMOTION JUMPER (MOOVE EDC)

The cable (sold separately - **940600015**) allows colour temperature variation from 3000K to 4000K.



50mm

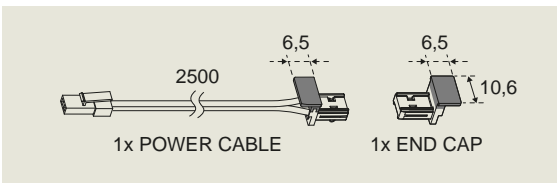
MEC DRIVER

Power supply system for 12-24V LED with modular connection of distribution and Smart control modules



SMART SYSTEM

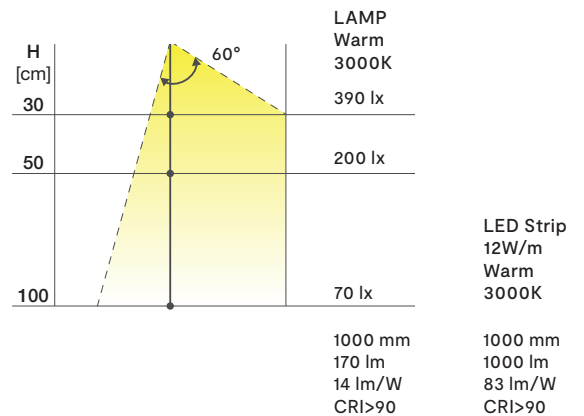
Wireless sensors and controllers for remote control of the LED lamps connected to Smart control modules



POWER CABLE KIT

600300008 2530mm

KIT with wired power connector and end cap terminal: to cut the profile in two bespoke lamps, n°2 KIT must be ordered.



Micro 4

**PATENT
PENDING**

Very elegant



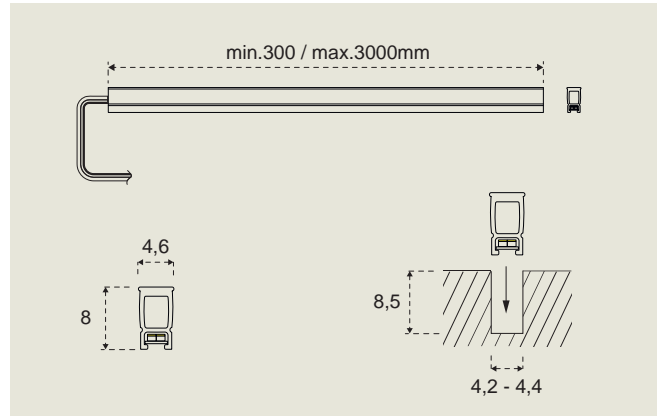
Slim, minimal and elegant

MICRO 4 is a linear recessed lamp in opal polycarbonate: thin and minimal, it is a luminaire that provides a very elegant lighting effect, easy to install thanks to the ergonomics of the profile which allows it to be inserted into the milled groove by pressure, without the need for fixing clips. Made exclusively to measure, it is a versatile lamp, ideal for illuminating the interior of tall units, wardrobes and cabinets with installation in the side panels, as well as shelves and shelves. The LED source is available with Natural (4000K) and Warm (3000K) color temperatures.

Micro 4



01 Opal



| | | |
|-------------------------|--------------------------|---------------------|
| MICRO 4 - 24V DC | 240 LEDs/m 3000K/4000K | |
| on request | 7W/m | min.100 /max.3000mm |

- Bespoke measures only, up to 3m
- Luminaire provided with 500 mm cable plus 2800 mm extension cable to the power supply

ACCESSORIES, POWER SUPPLY AND CONTROL

L&S DRIVER SYSTEM

MEC LITE and MEC Driver modular connection systems, for the power supply and control of 12V and 24V LED lamps



CONTROL SYSTEM

Complete range of wireless sensors and transmitters for remote control of LED lamps connected to L&S Driver System



Focus

Giuseppe Bavuso Design

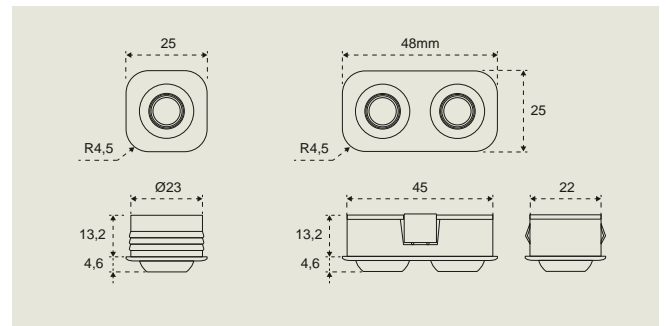
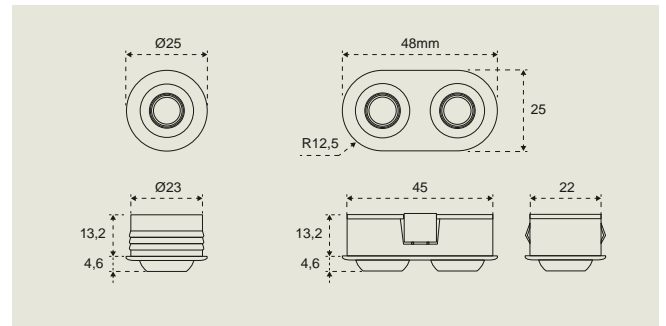
Eye catching



The functionality of an adjustable spotlight in a miniaturized design

Recessed adjustable spotlights collection, with extremely small dimensions. Available in single and double LED versions, with round and square designs, it is used in niches and display cases, offering uniform and comfortable lighting. The LED source is available with Warm (3000K) color temperature. Sold in black finish.

Focus



03 Black

FOCUS - 24V DC

03

| | | | |
|------------|------|-----------------|-------|
| on request | 1W | ROUND - SINGLE | 3000K |
| | 1,8W | ROUND - DOUBLE | 3000K |
| | 1W | SQUARE - SINGLE | 3000K |
| | 1,8W | SQUARE - DOUBLE | 3000K |

Each spotlight is provided with 500 mm cable plus 2800 mm extension cable to the power supply

ACCESSORIES, POWER SUPPLY AND CONTROL

L&S DRIVER SYSTEM

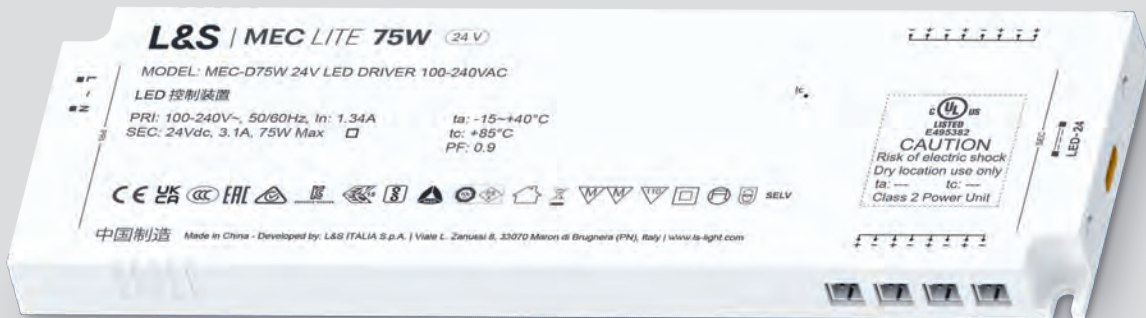
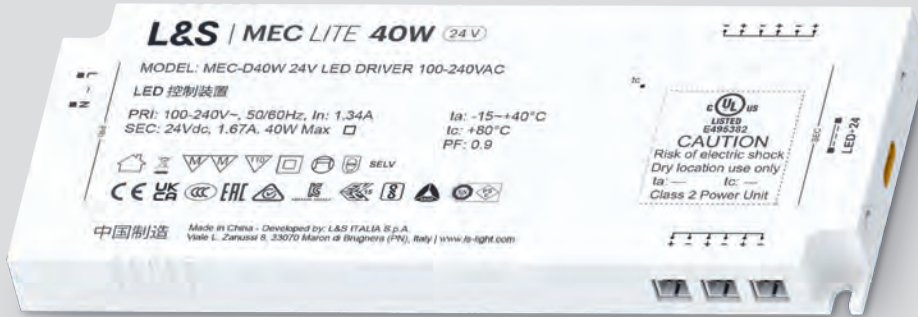
MEC LITE and MEC Driver modular connection systems, for the power supply and control of 12V and 24V LED lamps



CONTROL SYSTEM

Complete range of wireless sensors and transmitters for remote control of LED lamps connected to L&S Driver System





MEC *LITE*

PATENT
PENDING

Ready-to-light

The innovative "Plug&Play" power supplies platform MEC Driver by L&S expands with the introduction of **MEC *LITE***, the new "**Ready-to-light**" power supply and control system for LED lamps.

Patented and multi-certified, **MEC *LITE*** is a product with a compact and modular design: equipped with an integrated power distributor, it is **versatile, straightforward and easy to install**. It also includes new intuitive **Smart Home** solutions for light customization and an innovative range of dedicated wireless sensors and transmitters.

MEC *LITE* ensures **greater energy efficiency** compared to the MEC Driver product range in the catalog, with which it is 100% compatible.

Ready-to-light



Practical integrated power distributor

The integrated power distributor of **MEC LITE**, with an optimized number of outputs based on the power supply's capacity, is a practical and easy-to-use solution for quickly connecting LED lamps without additional distribution modules, which can still be used if it becomes necessary to power a larger number of lamps.

Reduced width for special installations

The new **MEC LITE slim** model, equipped in all versions with an integrated 3-output distributor, is thin and versatile, making it ideal for installation in tight spaces. Available exclusively in 24V, it can be connected to the control modules from the L&S power supply range via dedicated cable.

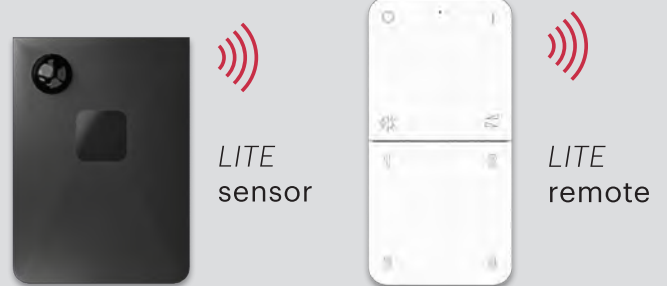
LITE control modules: Easier Smart Home

MEC LITE features a modular design with new Smart Home solutions for light control via voice assistant or smartphone, allowing for endless customizations in a simple and intuitive manner. **LITE MT**, the module based on the Matter protocol, connects directly to the native app of the most popular Smart Home devices (eliminating the issue of managing different apps and protocols). The Bluetooth module **LITE BT** provides simple and immediate light management at your smartphone's fingertips.



Wireless control, practical and elegant

The new radio frequency transmitters make light management easy and incredibly versatile. **LITE sensor** is an innovative all-in-one sensor suitable for any context, usable as a motion sensor, door contact sensor, or touch transmitter. **LITE remote** is a practical 4-channel transmitter that allows control of multiple LITE control modules and can be installed on the wall using a practical magnetic support.



Patented and certified for global use a globale

MEC LITE soddisfa tutti i requisiti di sicurezza e di compatibilità con i diversi standard globali regolati da standard di certificazione, ottenuti e registrati con Wide World 100-240 V AC of 10-24 di A/Centza rappresenta un prodotto che può essere distribuito in tutta la gamma di **MEC LITE** a **MEC BT** globale, sicuro e affidabile product.

PATENTED



MEC LITE 24 V

20W

2x OUT



135x75x16mm

2x OUT

40W

3x OUT



190x75x16mm

3x OUT

60W

3x OUT



190x75x16mm

3x OUT

75W

4x OUT



240x75x16mm

4x OUT

96W

4x OUT



240x75x16mm

4x OUT

150W

4x OUT



240x75x16mm

4x OUT

MEC LITE 12 V

40W

3x OUT



190x75x16mm

3x OUT

60W

3x OUT



190x75x16mm

3x OUT

MEC LITE slim 24 V

30W



288x30x18mm

60W



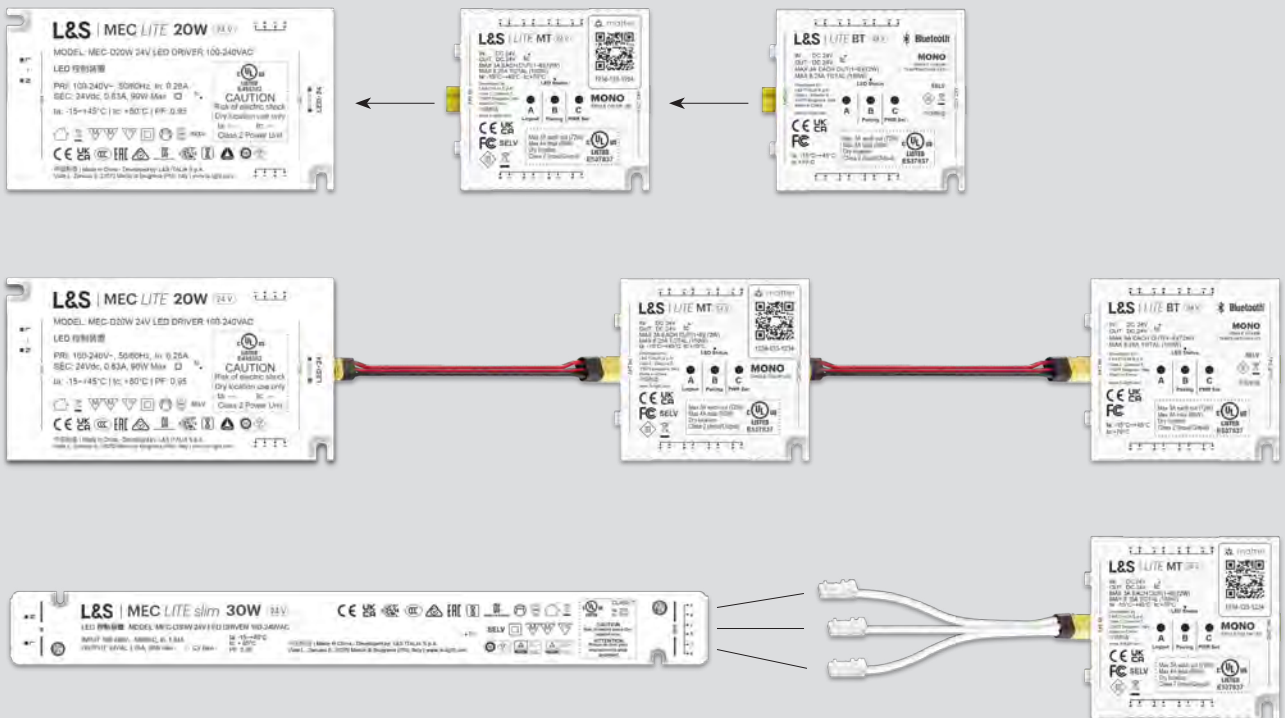
288x30x18mm

96W



288x30x18mm

Connection diagrams



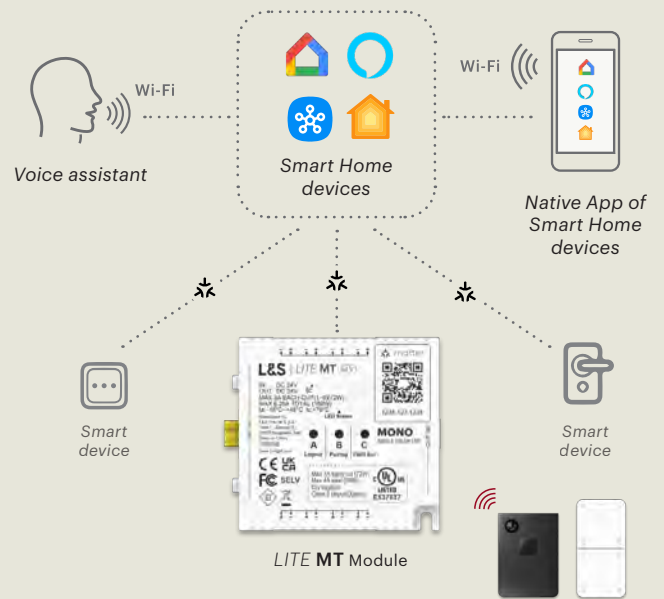
Smart Control





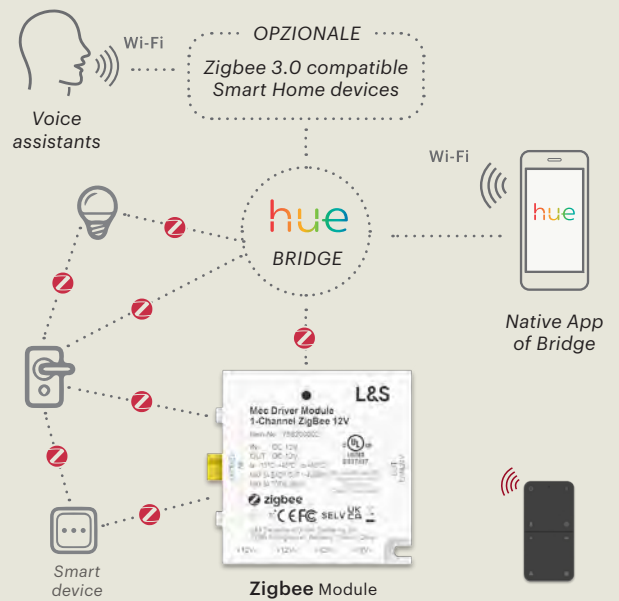
The universal standard for Smart Home devices

It simplifies the connection between smart devices from different brands through the innovative, fast, and reliable Matter protocol: the **LiteMT control module connects directly to the native app of Smart Home devices** (e.g., Amazon Alexa, SmartThings, Apple HomeKit). Through the Wi-Fi network, the device can be controlled from anywhere in the house. Control and customization of lighting through **voice assistants and smartphones**: intuitive and suitable even for non-expert users, thanks to an easy and immediate setup process that involves simply scanning the QR code present on the module.



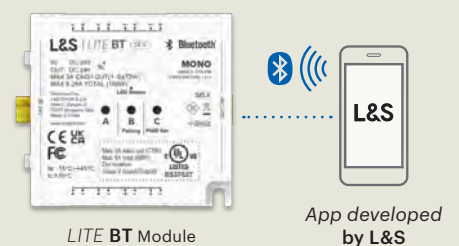
Low power consumption wireless protocol

With the new **Zigbee** control module, our lighting devices **communicate with other smart home devices** (e.g., plugs, locks, and smart bulbs) through a **compatible bridge** (e.g., Philips Hue) in a reliable low-power mesh network. **Quick and precise control of lighting via smartphone** using the native app of the bridge or through voice assistants compatible with the Zigbee 3.0 protocol.



The solution for smartphones simple and accessible

The most well-known and familiar technology, now with the new LiteBT module, allows for the integration of our devices into the smart management of the home: **through the dedicated app developed by L&S, light management is simple and immediate.** Customized lighting, intensity adjustment, and real-time lighting scenes are just a **tap away on your smartphone.**



L&S Driver system (24 V)



MEC LITE (24 V)



MEC LITE slim (24 V)



MEC Driver (24 V)

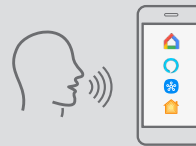
LITE MT (24 V)



LITE BT (24 V)



matter



Voice Assistants and App for the Smart Home Device

Bluetooth™



Dedicated App L&S

L&S Driver system (12 V)



MEC LITE (12 V)



MEC Driver (12 V)



LITE sensor



LITE remote

Zigbee Module (24V)

1 channel

4 channels



Sensor Module (24V)



RGBW Module (24V)

1 channel



Native smartphone app for the BRIDGE device
optional voice assistant



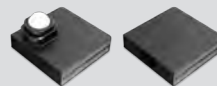
CABLED sensors



RGB / Emotion
remote



4 channel
remote



WIRELESS sensors

Zigbee Module (12V)

1 channel

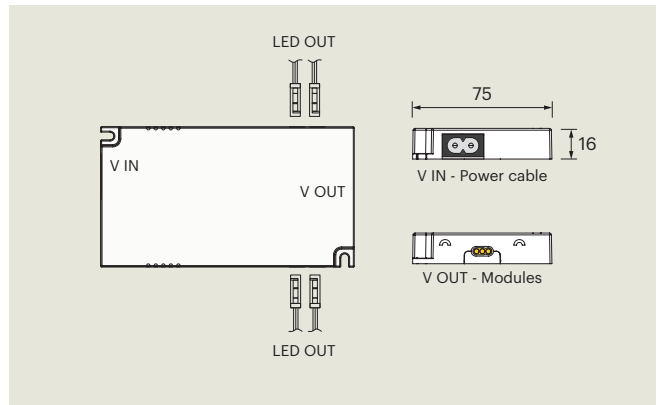
4 channels



Sensor Module (12V)



MEC LITE POWER SUPPLY (24 V)



POWER SUPPLY MODULE FOR LED LIGHTS

V IN: 100-240V AC WIDE INPUT / V OUT: 24V DC

24V LED power supply system, patented and certified for almost all global markets. Complete with an integrated power distributor for LED lights (the number of outputs varies based on the power supplied). Wide Input voltage of 100-240V AC: the 150W model is available exclusively with an input voltage of 240V. Choose the power cable (sold separately) according to the type of plug suitable for your target market. Modular design: Remote control modules can be connected to create endless solutions (ensure the same 24V power supply is maintained for all connected modules).

Compatible with all MEC Driver 24 modules.

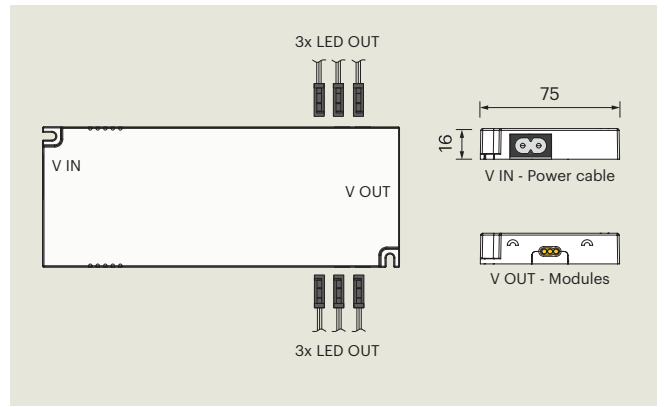
| V OUT | V IN | W | OUT | L (mm) | CODE |
|-----------|-------------|------|-----|--------|------|
| (24 V) DC | 100-240V AC | 20W | 4 | 135mm | - |
| | | 40W | 6 | 190mm | - |
| | | 60W | 6 | 190mm | - |
| | | 75W | 8 | 240mm | - |
| | | 96W | 8 | 240mm | - |
| | | 150W | 8 | 240mm | - |

POWER CABLE



| V IN / OUT | L (mm) | PLUG | CODE |
|-------------|--------|------|-------------|
| 100-240V AC | 2000mm | UK | 12606660100 |
| | | CN | 12606670100 |
| | | AU | 12606680100 |
| | | US | 12606690100 |
| | | EU | 12606710100 |
| | | KR | 12606720100 |

MEC LITE POWER SUPPLY 12V



POWER SUPPLY MODULE FOR LED LIGHTS

V IN: 100-240V AC WIDE INPUT / V OUT: 12V DC

12V LED power supply system, patented and certified for almost all global markets. Complete with an integrated 6-way power distributor for LED lights. Wide Input voltage of 100-240V AC: choose the power cable (sold separately) according to the type of plug suitable for your target market. Modular design: Remote control modules can be connected to create endless solutions (ensure the same 12V power supply is maintained for all connected modules).

Compatible with all MEC Driver 24 modules.

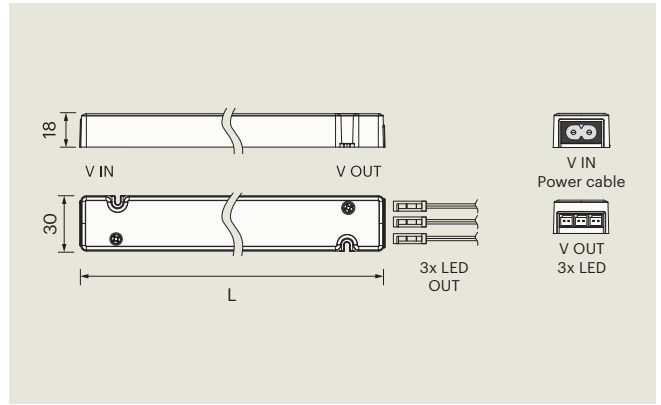
| V OUT | V IN | W | OUT | L (mm) | CODE | |
|-------|------|-------------|-----|--------|-------|---|
| 12V | DC | 100-240V AC | 40W | 6 | 190mm | - |
| | | | 60W | 6 | 190mm | - |

POWER CABLE



| V IN / OUT | L (mm) | PLUG | CODE |
|-------------|--------|------|-------------|
| 100-240V AC | 2000mm | UK | 12606660100 |
| | | CN | 12606670100 |
| | | AU | 12606680100 |
| | | US | 12606690100 |
| | | EU | 12606710100 |
| | | KR | 12606720100 |

MEC LITE slim POWER SUPPLY (24 V)



POWER SUPPLY MODULE FOR LED LIGHTS

V IN: 100-240V AC WIDE INPUT / V OUT: 24V DC

24V LED power supply system, patented and certified for almost all global markets. Complete with an integrated 3-way power distributor for LED lights, featuring a reduced width of 30mm. Wide Input voltage of 100-240V AC: choose the power cable (sold separately) according to the type of plug suitable for your target market. Use the appropriate adapter cable (sold separately) for connecting to control modules (ensure the same 24V power supply is maintained).

| V OUT | V IN | W | OUT | L (mm) | CODE |
|-----------|-------------|-----|-----|--------|------|
| (24 V) DC | 100-240V AC | 30W | 3 | 288mm | - |
| | | 60W | 3 | 320mm | - |
| | | 96W | 3 | 320mm | - |

Compatible with all MEC Driver 24 modules.

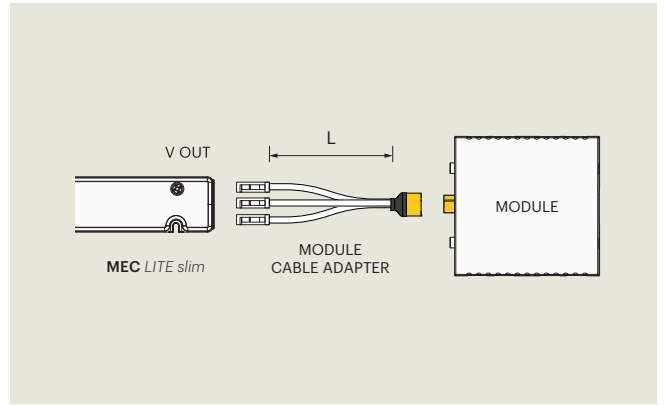
POWER CABLE



| V IN / OUT | L (mm) | PLUG | CODE |
|-------------|--------|------|-------------|
| 100-240V AC | 2000mm | UK | 12606660100 |
| | | CN | 12606670100 |
| | | AU | 12606680100 |
| | | US | 12606690100 |
| | | EU | 12606710100 |
| | | KR | 12606720100 |

MEC LITE slim POWER CABLE

24 V



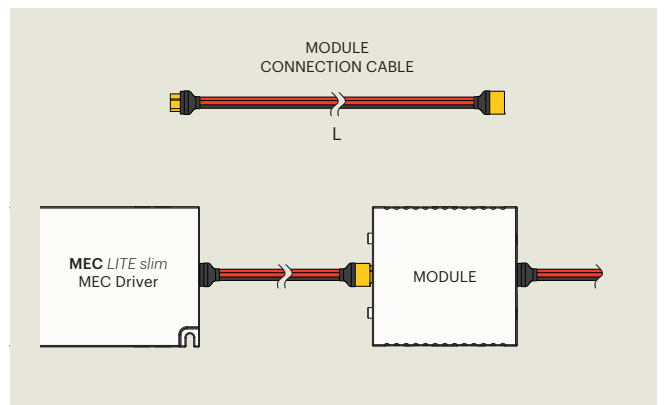
ADAPTER CABLE FOR CONNECTING CONTROL MODULES
V IN/OUT: 24V DC

For connecting the MEC LITE slim power supply system to 24V Control Modules.

| V IN / OUT | MAX LOAD | L (mm) | CODE |
|------------|----------|--------|------|
| 24 V DC | 5A Total | 100mm | - |

MODULE CABLE

CONNECTION CABLE 12 V 24 V



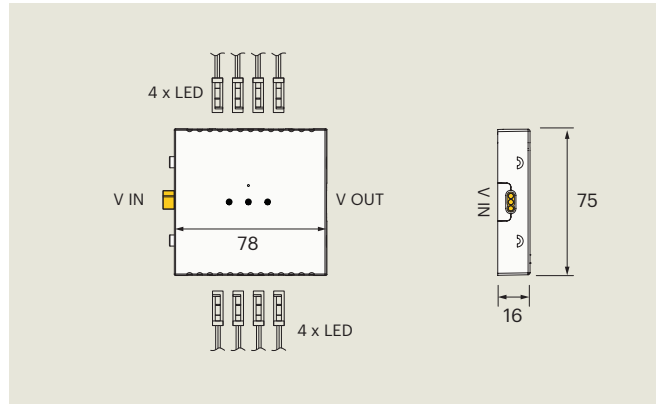
CONNECTION CABLE FOR CONTROL MODULES
V IN/OUT: 12-24V DC

For connecting MEC LITE / LITE slim and MEC Driver power supply systems to Control Modules; suitable also for Module-to-Module connections.

| V IN / OUT | MAX LOAD | L (mm) | CODE |
|----------------|----------|--------|------|
| 24 V / 12 V DC | 5A Total | 100mm | - |
| | | 500mm | - |
| | | 1000mm | - |

LITE MT 8 WAYS MODULE (24 V)

CONTROL MODULES



CONTROL MODULE FOR 24V LED LIGHTS
ON-OFF / Dimmer / Color Temperature (EDC)

Simultaneous control up to 8 LED lights in 24V using compatible radio frequency transmitters or via **MATTER** protocol to connect the module to the native app of the Smart Home device in use (e.g., Amazon Alexa, SmartThings, Apple HomeKit). Available for MONO LED or EDC Dual Color lights. Maintain the same operating voltage of 24V for all connected modules in a continuous line.

| VIE | MAX LOAD | V IN | LED | CODE |
|-----|------------------------------|--------|-------------|--------|
| 8 | 150W Total 72W Single way | 24V DC | MONO EDC | - - |

COMPATIBLE TRANSMITTERS

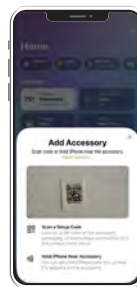


LITE sensor



LITE remote

REMOTE CONTROL



matter

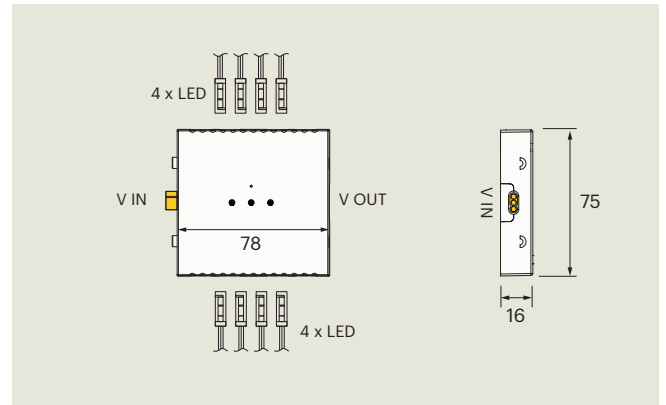
Control via voice assistant or smartphone through the Wi-Fi network: direct connection to the native app of Smart Home devices through a simple scan of the QR code printed on the module.



Control via 2.4GHz radio frequency transmitters.

LITE BT 8 WAYS MODULE (24V)

CONTROL MODULES



CONTROL MODULE FOR 24V LED LIGHTS
ON-OFF / Dimmer / Color Temperature (EDC)

Simultaneous control up to 8 24V LED lamps using compatible radio frequency transmitters or via **Bluetooth** with a smartphone. Available in versions for MONO LED or EDC Dual Color. Maintain the same operating voltage of 24V for all connected modules in a continuous line

| VIE | MAX LOAD | V IN | LED | CODE |
|-----|------------------------------|--------|-------------|--------|
| 8 | 150W Total 72W Single way | 24V DC | MONO EDC | - - |

COMPATIBLE TRANSMITTERS

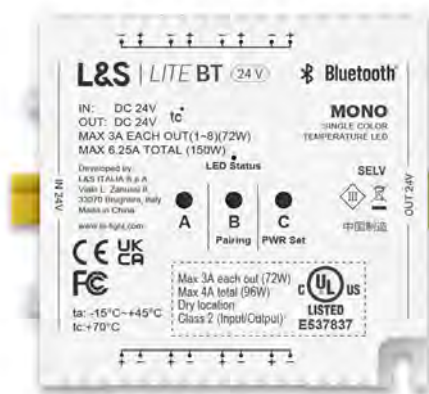


LITE sensor



LITE remote

REMOTE CONTROL



Bluetooth™

Control via smartphone with the Bluetooth app developed by L&S, available for free download from the App Store and Google Play.

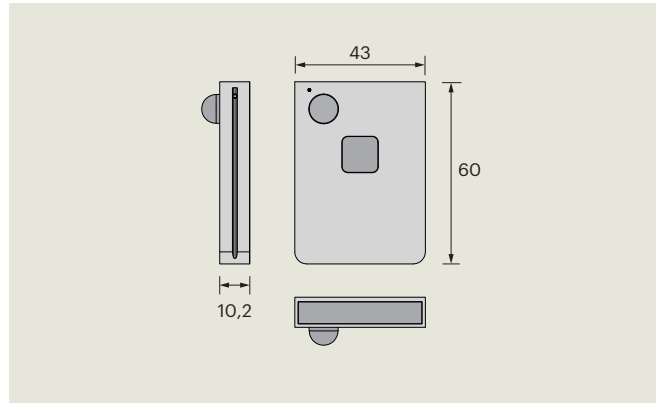


Control via 2.4GHz radio frequency transmitters.

LITE sensor

ALL-IN-ONE SENSOR

2,4 GHz **SENSORS AND CONTROLLERS**



2.4GHZ RF MULTIFUNCTION SENSOR
MONO/EDC - Range: 20m (indoor)

All-in-one multifunction sensor with 1 channel; simultaneously manages all lights connected to compatible control modules. Recessed or surface-mounted/wall-mounted using the included installation accessories, the LITE sensor can be configured for use as:

- PIR Motion Sensor
- IR Door sensor
- TOUCH Transmitter

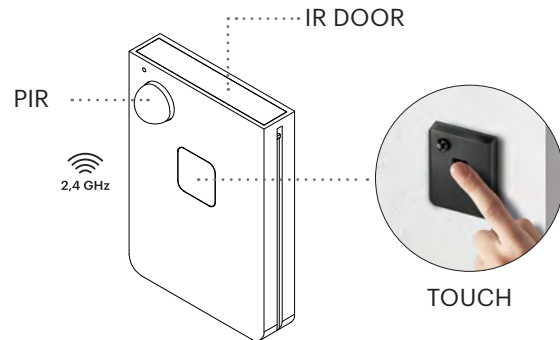
CONTROLS/SETTINGS

- Auto-off timer IR/PIR: 30s / 60s / 300s
- Progressive dimmer (with TOUCH button)
- Color temperature change (EDC LED)

CHANNELS / LED CONTROLS CODE

| | | |
|-----------------------|--|---|
| 1 CHANNEL MONO/EDC | ON-OFF / Dimmer Color temperature (EDC) | - |
|-----------------------|--|---|

FUNCTIONS



COMPATIBLE MODULES



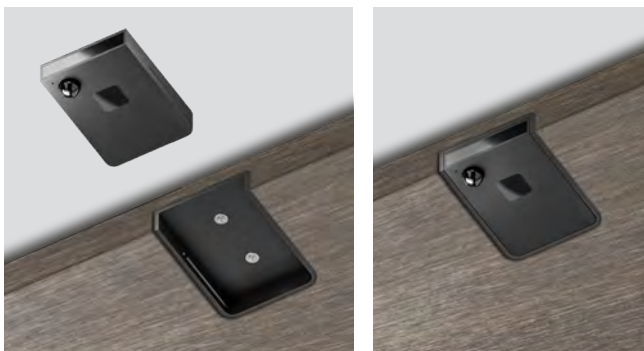
LITE MT
LITE BT

BATTERY INCLUDED



CR2032 3V
(3 year)

RECESSED INSTALLATION

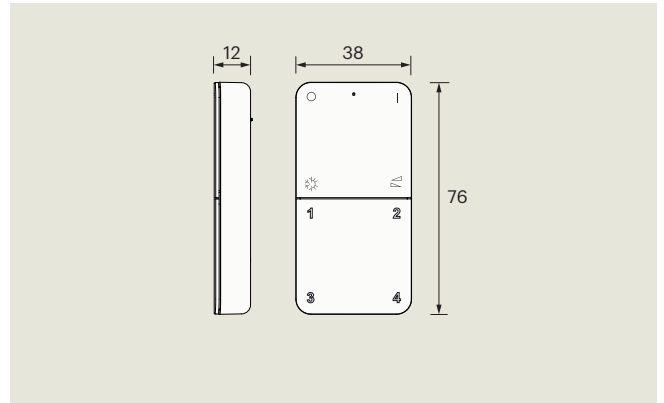
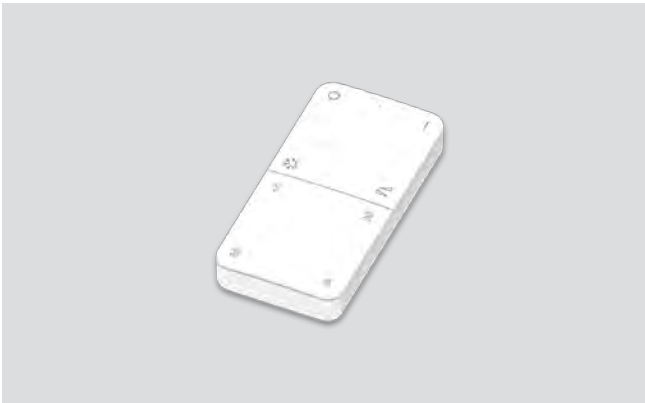


SURFACE MOUNTING INSTALLATION



LITE remote TRANSMITTER

2,4 GHz **SENSORS AND CONTROLLERS**



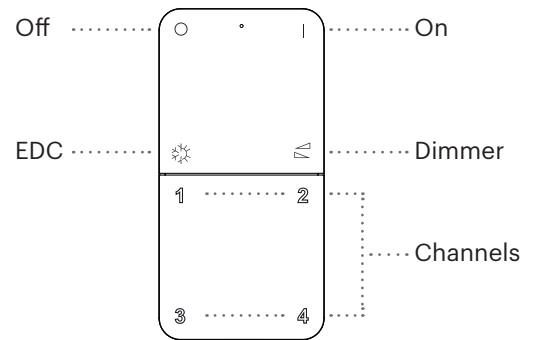
2.4GHZ RF TRANSMITTER

MONO/EDC - Range: 20m (indoor)

Remote control with the possibility to manage and memorize up to 4 independent channels; individually controls all lamps connected to compatible Smart control modules (up to 6 modules).

| CHANNELS / LED | CONTROLS | CODE |
|------------------------|--|------|
| 4 CHANNELS MONO/EDC | ON-OFF / Dimmer Color temperature (EDC) | - |

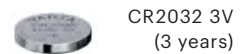
FUNCTIONS



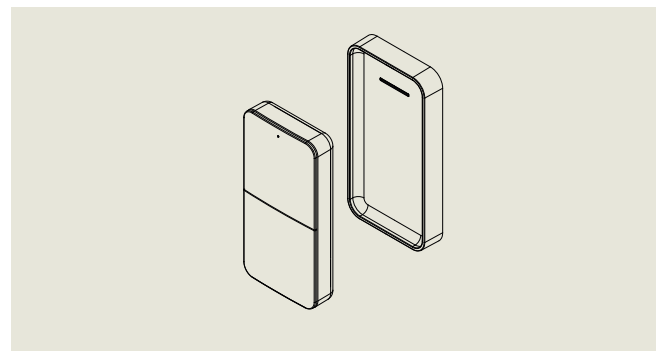
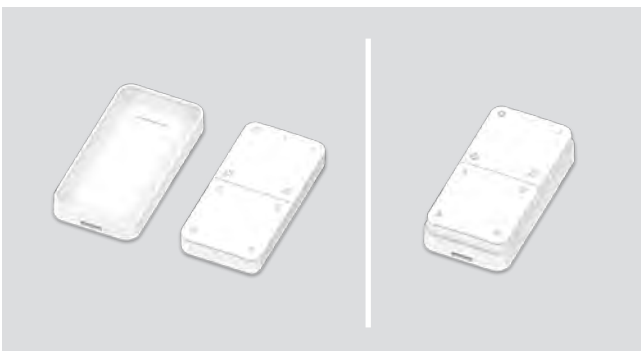
COMPATIBLE MODULES



BATTERY INCLUDED



WALL SUPPORT



Chip on Board

COB LED Strip with high color rendering index, for continuous light effect with deceiving aesthetic, which can be easily used in any solution by means of solderless Reel-to-Reel connectors



LED Reel 5mm COB (24 V)

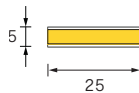
ADHESIVE LED REEL
5000mm



| 10W/m EU COB (24 V) 5m | CRI | EEC | LUMEN/W | LUMEN/m | KELVIN | CODE |
|--|------|-----|----------|-----------|---------|-----------|
| CE UK CA 640 LEDs/m Module: 0,125W | ≥ 90 | | 100 lm/W | 1000 lm/m | ● 2700K | 751100788 |
| | | | | | ● 3000K | 751100789 |
| | | | | | ● 4000K | 751100790 |



| 10W/m EDC EV COB (24 V) 5m | CRI | EEC | LUMEN/W | LUMEN/m | KELVIN | CODE |
|---|------|-----|----------|-----------|---------------------------|-----------|
| CE UK CA DUAL COLOR 3000K+4000K 320 + 320 LEDs/m Module: 0,25W | ≥ 90 | | 100 lm/W | 1000 lm/m | EDC | 751100791 |
| | | | | | DUAL COLOR 3000K+4000K | |



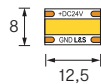
LED Reel 8mm COB (24 V)

ADHESIVE LED REEL
5000mm

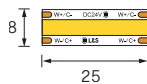


CABLES COB p.154
MEC DRIVER 24V p.156

| 10W/m EY COB (24 V) 5m | CRI | EEC | LUMEN/W | LUMEN/m | KELVIN | CODE |
|--|------|-----|----------|-----------|---------|-----------|
| CE UK CA 640 LEDs/m Module: 0,125W | ≥ 90 | | 100 lm/W | 1000 lm/m | ● 2700K | 751100793 |
| | | | | | ● 3000K | 751100794 |
| | | | | | ● 4000K | 751100795 |



| 10W/m EDC EZ COB (24 V) 5m | CRI | EEC | LUMEN/W | LUMEN/m | KELVIN | CODE |
|---|------|-----|----------|-----------|---------------------------|-----------|
| CE UK CA DUAL COLOR 3000K+4000K 320 + 320 LEDs/m Module: 0,25W | ≥ 90 | | 100 lm/W | 1000 lm/m | EDC | 751100792 |
| | | | | | DUAL COLOR 3000K+4000K | |



Cables and connectors COB 24 V



POWER CABLE | 24 V

Crimp power cable for reel to reel connection of LED strips to Driver.

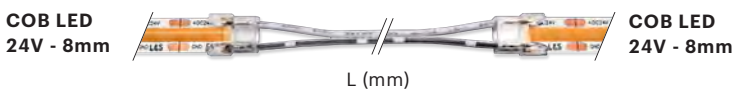
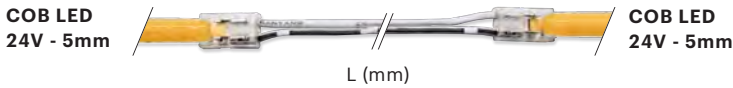
| V | COB LED | L (mm) | CODE |
|-----|---------|--------|-----------|
| 24V | 5mm | 3000mm | 940600578 |
| | 8mm | 3000mm | 940600579 |



SOFT LINK | 24 V

LED strips reel to reel crimp connection cable

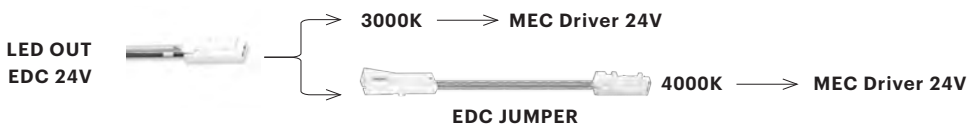
| V | COB LED | L (mm) | CODE |
|-----|---------|--------|-----------|
| 24V | 5mm | 100mm | 940600580 |
| | | 700mm | 940600581 |
| | 8mm | 100mm | 940600582 |
| | | 700mm | 940600583 |



EDC JUMPER | 24 V

For EDC LED strips without integrated switching only: jumper cable switches the color temperature from 3000K to 4000K.

| V | LED | L (mm) | CODE |
|-----|-----|--------|-----------|
| 24V | EDC | 50mm | 940600015 |



Cables and connectors COB 24 V



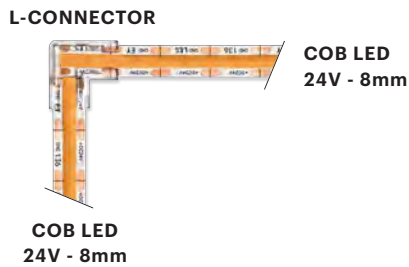
BRIDGE | 24 V

| | V | COB LED | CODE |
|--|-----|---------|-----------|
| Reel to reel bridge crimp connector for LED strip segments | 24V | 5mm | 750300176 |
| | | 8mm | 750300177 |



L - CONNECTOR | 24 V

| | V | COB LED | CODE |
|--|-----|---------|-----------|
| Reel to reel crimp "L" shaped connector for LED strip segments | 24V | 8mm | 750300178 |



PLIERS

| | CODE |
|---|-----------|
| Crimping pliers for COB cables and connectors | 720300003 |



The information present in this catalog may be subject to errors. The articles, their characteristics, data and dimensions found therein are not binding and may be subject to change without prior notice from the company.

HEADQUARTERS

ITALY

**L&S Italia
SpA**
Via L. Zanussi, 8
Maron di Brugnera (PN)
+39 0434 616611
info@ls-light.com

**Forma e Funzione
Srl**

Via Pacinotti, 54
Varese (VA)
+390332491247
info@formaefunzione.com

GERMANY

**L&S Deutschland
GmbH**
Daimlerring, 34
Rödinghausen
+49 5223 8790-0
info@ls-deutschland.de

CHINA

**LS Lighting
Equipment
(Shanghai) Co., Ltd.**
No. 255, LongPan Rd.,
Malu Town,
Jiading District, Shanghai
+86 021 69 15 67 91
info.china@ls-light.com

UNITED STATES

**L&S Lighting
Corporation**
1505 Pavilion Place, Suite A
Norcross, Georgia
+1 877 877 0757
info.us@ls-light.com



**L&S LIGHTING
CORPORATION**
ATLANTA, USA

L&S DEUTSCHLAND GMBH
RÖDINGHAUSEN, GERMANIA

L&S ITALIA SPA
BRUGNERA

FORMA E FUNZIONE SRL
VARESE

ITAL PEK
TAVULLIA

**L&S LIGHTING
EQUIPMENT**
SHANGHAI, CHINA

LS-LIGHT.COM