

Mec Driver

PATENTED

INNOVATIVE,
MODULAR AND
VERSATILE
POWER SUPPLY
PLATFORM





Mec Driver

4 POWER SOURCES IN 1,
WITH INTEGRATED CONTROL SYSTEMS

Increased flexibility to connect the future

Our innovative "Plug&Play" platform

promises to transform the world of LED lighting

Now you can build your own lighting and home modular automation power supply system – which has been approved for almost any global market – with incredible speed and ease of assembly.

The heart of the system is the new multi-voltage power source, available in six different levels of wattage (18, 36, 48, 60-72, 90 and 120W) and suitable for all common socket-types. It is possible to connect the modules for remote regulation of every aspect of home lighting, sound and automation.

In this way you can reach a compact and modular solution, for a complete control of all system.

ONE DRIVER, ENDLESS OPTIONS BOTH 12 AND 24 VDC

12/24 IT WORKS BOTH 12VDC AND 24VDC

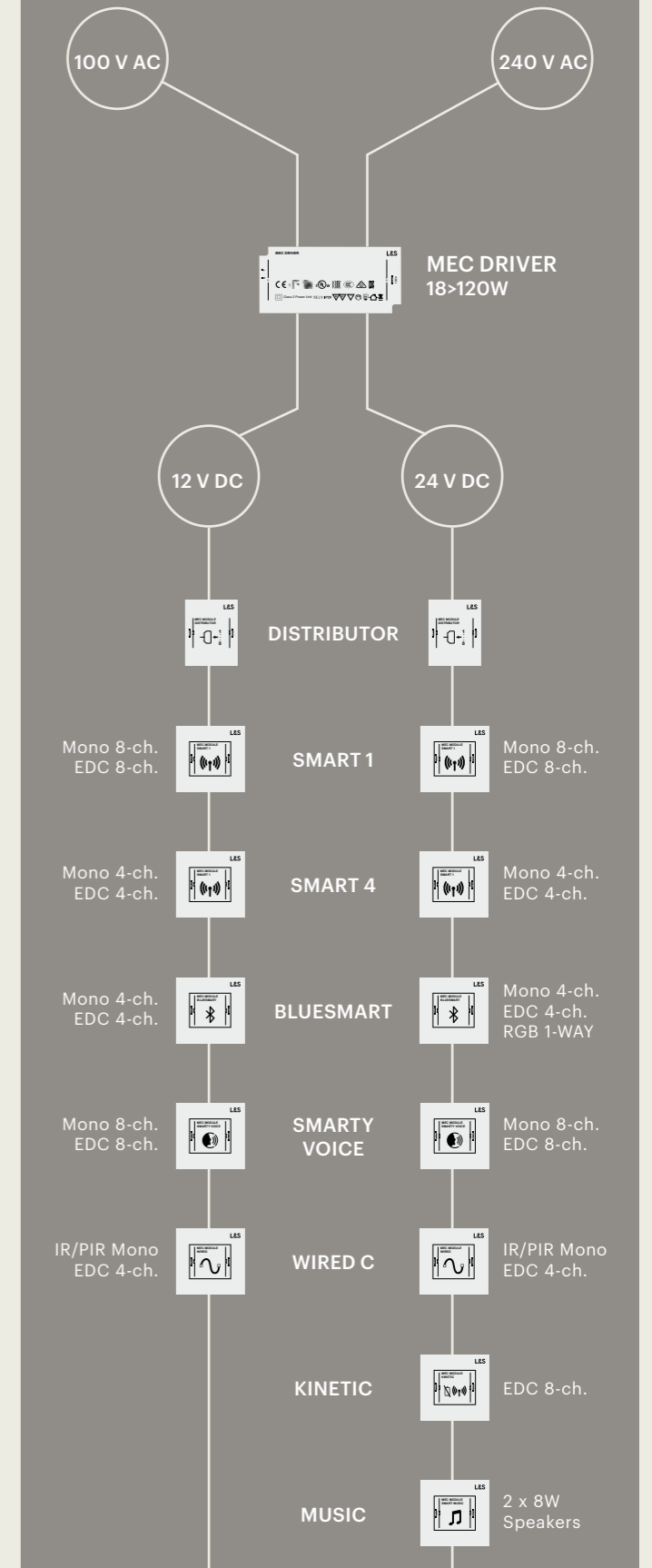
14 AVAILABLE MODULE TYPES

V MULTI-VOLTAGE
Input: 100\240V AC Output: 12\24V DC

INTERNATIONAL ACCREDITATIONS
CE UK cUL US ENE CCC BSI PS E

REMOTE AND VOICE CONTROL
Connection via Wi-fi, Radio Frequency (R.F.), Bluetooth, Zigbee, wired sensors

ONE DRIVER, ENDLESS OPTIONS



Scenario 1

First choose how to control the lights, and then the driver to associate

1 How do you want control the lights you already have?

Connect only lights with or without controller onboard	Distributor Module
Control lights by using remote controllers and sensors for ON-OFF, dimming and colour management functions	Smart 1 e smart 4 Module
Control lights by using smartphone and/or remote controllers and sensors for ON-OFF, dimming and colour management functions	Bluesmart Module
Control lights by using voice controls and/or remote controllers and sensors for ON-OFF, dimming and colour management functions	Smarty voice Module
Control lights by using wired controllers and sensors for ON-OFF function	Wired (ir e pir) Module
Listening music by using smartphone	Smart music Module



MODULE

2 How many light fixture must be connected to a single module?

Less than 2 light fixture	All the Modules
Between 3 and 4 light fixture	All the modules except y cable
More than 4 light fixture simultaneously controlled (up to n°8 input)	Distributor, smart 1, smarty voice module
More than 4 light fixture separately controlled (up to n°4 input)	Smart 4, bluesmart module (connection of multiple modules)



N° OF INPUT

NOTE 1
all the modules can be connected in a daisy chain until the maximum load of the driver used

NOTE 2
light panels could be required more inputs for each single model




3 Which power (W) and voltage (12-24VDC) have the light fixtures to connect?

Driver MAX 18W 100-240V-	Works both 12vdc and 24vdc
Driver MAX 36W 100-240V-	Works both 12vdc and 24vdc
Driver MAX 48W 100-240V-	Works both 12vdc and 24vdc
Driver MAX 60W (12VDC) \ 72W (24VDC) 100-240V-	Works both 12vdc and 24vdc
Driver MAX 90W 100-240V-	Works 24vdc
Driver MAX 120W 100-240V-	Works 24vdc



DRIVER

4 Which type of plugs do you need?

United Kingdom (GB) 	For all the drivers
Chinese (CN) 	For all the drivers
Australian (AU) 	For all the drivers
American (US) 	For all the drivers
European (EU) 	For all the drivers
Korean (KR) 	For all the drivers



PLUGS + DAISY CHAIN

NOTE
for multiple drivers to be connected to a single wall socket, it is possible to request the "Daisy Chain" module

Scenario 2

I have already choose the light fixtures, i need a driver to connect them




1 Which power (W) and voltage (12-24VDC) have the light fixtures to connect?

Driver MAX 18W 100-240V-	Works both 12vdc and 24vdc
Driver MAX 36W 100-240V-	Works both 12vdc and 24vdc
Driver MAX 48W 100-240V-	Works both 12vdc and 24vdc
Driver MAX 60W (12VDC) \ 72W (24VDC) 100-240V-	Works both 12vdc and 24vdc
Driver MAX 90W 100-240V-	Works 24vdc
Driver MAX 120W 100-240V-	Works 24vdc



DRIVER

2 Which type of plugs do you need?

United Kingdom (GB) 	For all the drivers
Chinese (CN) 	For all the drivers
Australian (AU) 	For all the drivers
American (US) 	For all the drivers
European (EU) 	For all the drivers
Korean (KR) 	For all the drivers



PLUGS + DAISY CHAIN

NOTE
for multiple drivers to be connected to a single wall socket, it is possible to request the "Daisy Chain" module

3 How many light fixture must be connected to a single module?

Less than 2 light fixture	All the Modules
Between 3 and 4 light fixture	All the modules except y cable
More than 4 light fixture simultaneously controlled (up to n°8 input)	Distributor, smart 1, smarty voice module
More than 4 light fixture separately controlled (up to n°4 input)	Smart 4, bluesmart module (connection of multiple modules)



N° OF INPUT

NOTE 1
all the modules can be connected in a daisy chain until the maximum load of the driver used

NOTE 2
light panels could be required more inputs for each single model

4 How do you want control the lights you already have?

Connect only lights with or without controller onboard	Distributor Module
Control lights by using remote controllers and sensors for ON-OFF, dimming and colour management functions	Smart 1 e smart 4 Module
Control lights by using smartphone and/or remote controllers and sensors for ON-OFF, dimming and colour management functions	Bluesmart Module
Control lights by using voice controls and/or remote controllers and sensors for ON-OFF, dimming and colour management functions	Smarty voice Module
Control lights by using wired controllers and sensors for ON-OFF function	Wired (ir e pir) Module
Listening music by using smartphone	Smart music Module

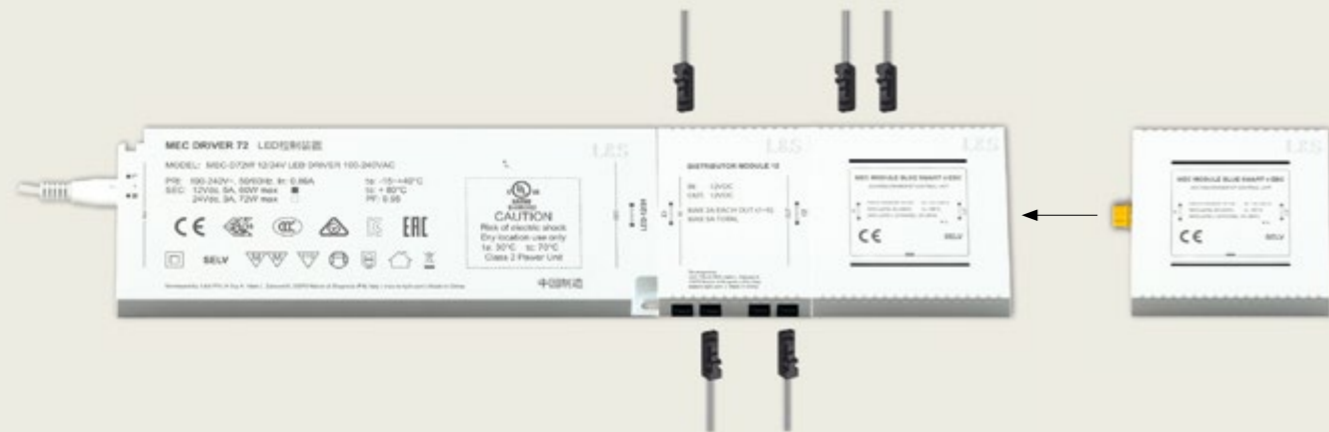




MODULE

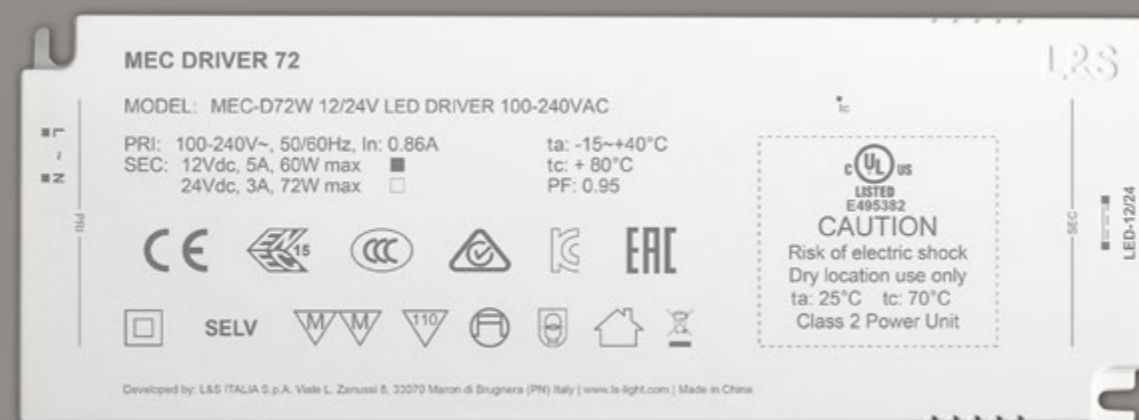
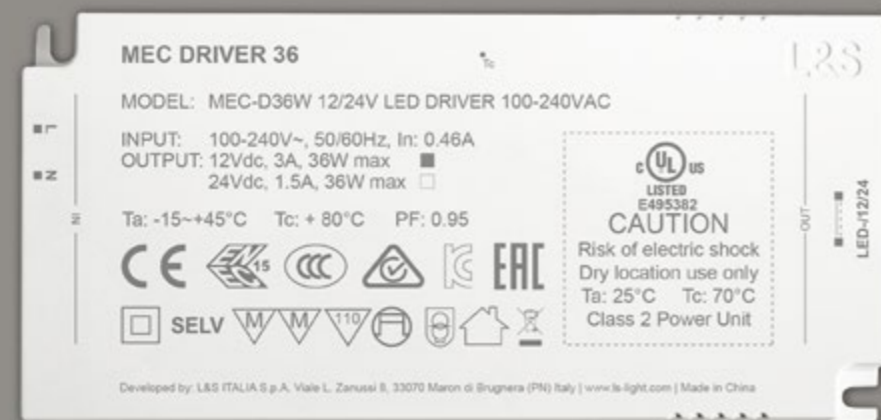
3 MEC Driver

Mec Driver, the patented LED power supply system, certified for almost all world markets. Modular design to create endless solutions by yourself, with the possibility of integrating various control modules in a simple and intuitive way, for remote regulation of every aspect of lighting, sound and home automation.

POWER SUPPLY MODULE	V	V OUT	mm
MEC Driver → p.101 V IN: 100-240V (V OUT: 12-24V) LED lamps connection with distribution and control modules. Choose the correct power cable according to the type of plug suitable for your reference market.	18W	12 V 24 V	110 x 75 x 16 mm
	36W	12 V 24 V	160 x 75 x 16 mm
	48W	12 V 24 V	160 x 75 x 16 mm
	60W	12 V	210 x 75 x 16 mm
	72W	24 V	210 x 75 x 16 mm
	90W	24 V	210 x 75 x 16 mm
	120W	24 V	210 x 75 x 16 mm



MODULI DI DISTRIBUZIONE	V	TYPE	LED	
Y-CABLE  2 WAYS - Simultaneous Parallel twin socket plug for LED lamps with without integrated switching system	24 V	EDC	EDC EMOTION	→ p. 13
DISTRIBUTOR  8 WAYS - Simultaneous Distribution module for LED lamps with or without integrated switching system	24 V	EDC	EDC EMOTION	→ p. 13
MINIBOX  6 WAYS - Simultaneous Distribution module for cabled 4mm LED Strip and 24V LED lamps by Forma e Funzione®	24 V	EDC	EDC EMOTION	→ p. 14
MODULI DI CONTROLLO SMART				
SMART 1  8 WAYS - Simultaneous LED lamps remote control module: • SMART sensors and remote controllers	12 V 24 V	MONO EDC	MONO EDC EMOTION	→ p. 15
SMART 4  4 WAYS - Individual LED lamps remote control module: • SMART sensors and remote controllers	12 V 24 V	MONO EDC	MONO EDC EMOTION	→ p. 15
BLUESMART  4 WAYS - Individuale LED lamps remote control module: • Bluetooth (BlueSmart App) • SMART sensors and remote controllers	12 V 24 V	MONO EDC	MONO EDC EMOTION	→ p. 16
BLUESMART RGB  1 WAY - Individual LED lamps remote control module: • Bluetooth (App BlueSmart) • SMART remote controllers	24 V	RGB	EMOTION	→ p. 16
SMARTY VOICE  8 WAYS - Simultaneous LED lamps remote control module: • Voice commands (Alexa / Google Home) • SMART sensors and remote controllers	12 V 24 V	MONO EDC	MONO EDC EMOTION	→ p. 18
WIRED C  4 WAYS - Simultaneous LED lamps control module with cabled IR / PIR / TOUCH sensors	12 V 24 V	MONO	MONO	→ p. 19
KINETIC  8 WAYS - Simultaneous LED lamps remote control module with piezoelectric remote	24 V	EDC	EDC EMOTION	→ p. 20
SMART MUSIC  Bluetooth music control module without LED lamps connection	24 V			→ p. 21



MEC Driver

The patented LED power supply system, certified for almost all world markets.

Modular design to create endless solutions by yourself, with the possibility of integrating various control modules in a simple and intuitive way, for remote regulation of every aspect of lighting, sound and home automation.

MEC Driver system

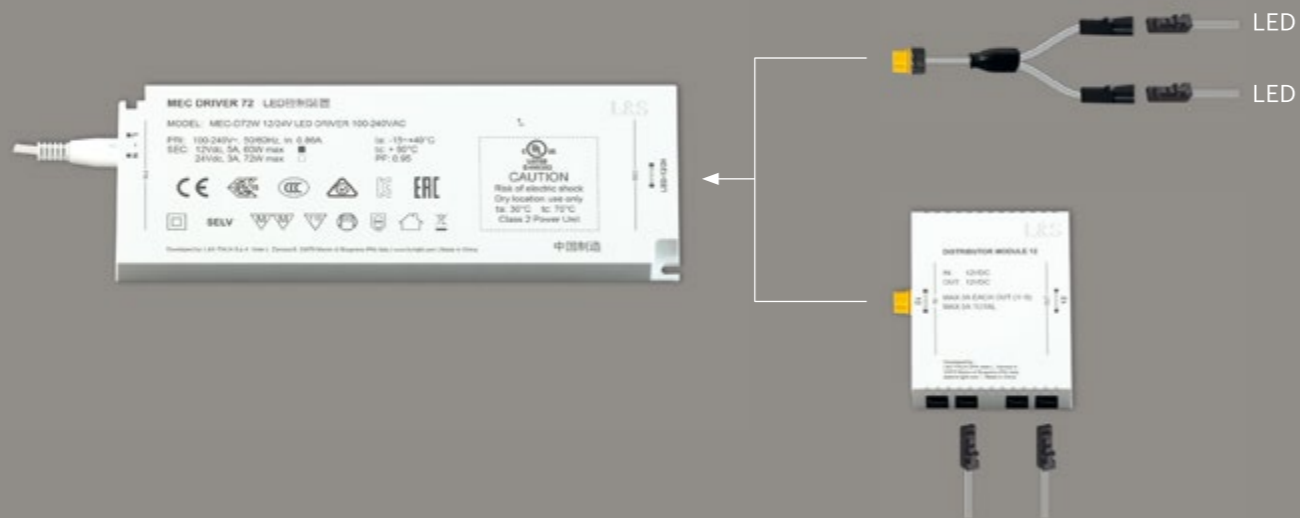
Power supply module

The heart of the system, a power supply module with an input voltage of 100-240 V AC, for use on a global scale. Connection to 12-24V LED lamps via distribution and control modules



Distribution modules

Direct lamps connection to Mec Driver via splitter cable (2 ways out) connection box or distributor module (6 or 8 ways out). For lamps with or without integrated switching system.



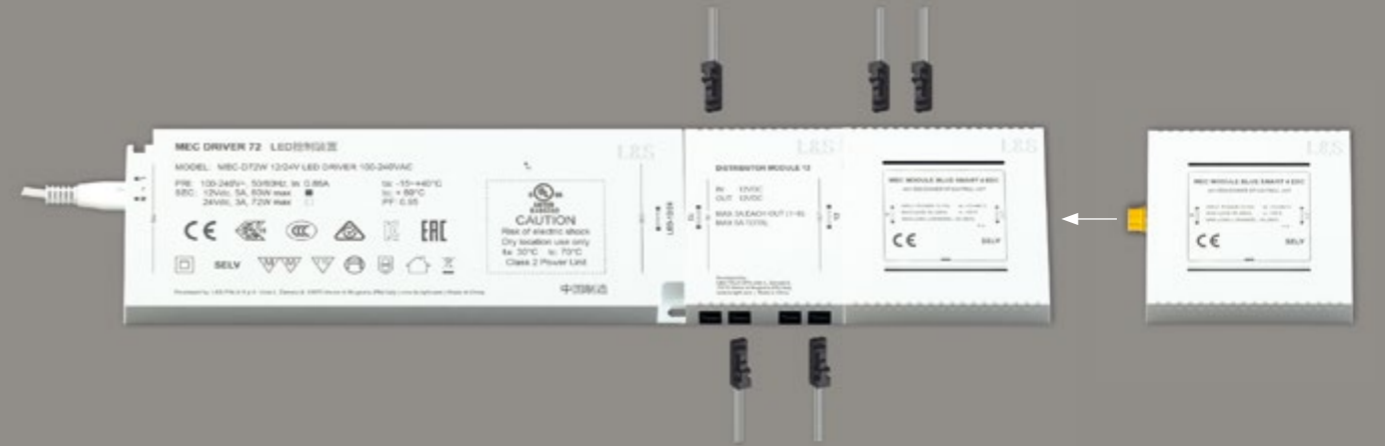
SMART Control modules

Lamps connection with different control modules. Light management via remote controls and external sensors (Smart Remote), mobile phone (Bluetooth), wired IR/PIR sensors or voice commands (Amazon - Google). For lamps without integrated switching system.



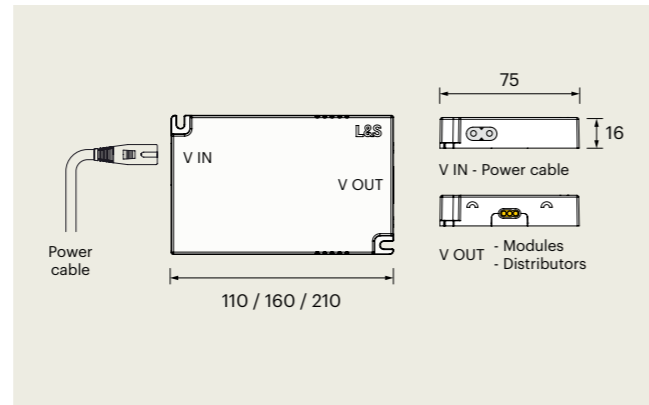
Modular design

Modules can be connected to other control or distribution modules as long as the same voltage (12V or 24V) is maintained. The maximum connectable load depends on the power (W) supplied by the driver.



MEC Driver

POWER SUPPLY MODULE



POWER SUPPLY MODULE FOR LED LAMPS

V IN: 100-240V (V OUT: 12-24V)

Patented LED power supply system, certified for almost all world markets. Connection to 12-24V LED lamps via distribution and control modules: modular design to create endless solutions by yourself, with the possibility of integrating various modules in a simple and intuitive way.

Choose the correct power cable (sold separately) according to the type of plug suitable for your reference market.

V IN	W	V OUT	L x P x H (mm)	CODE
100-240V AC	18W	12-24V DC	110 x 75 x 16	12591340100
	36W	12-24V DC	160 x 75 x 16	12591350100
	48W	12-24V DC	160 x 75 x 16	12591360100
	60W	12V DC	210 x 75 x 16	12591370100
	72W	24V DC		
	90W	24V DC	210 x 75 x 16	12591380100
120W	24V DC	210 x 75 x 16	12591390100	

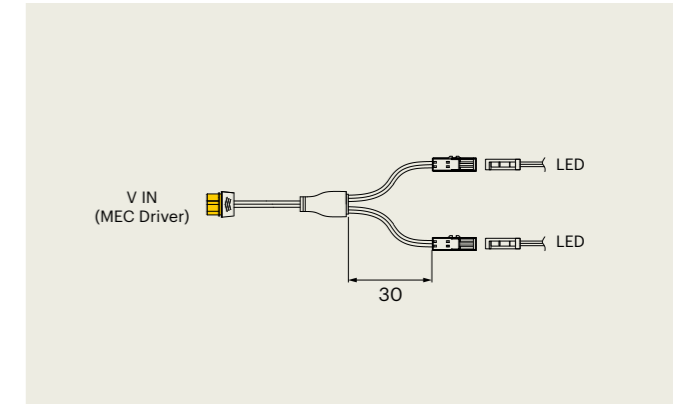
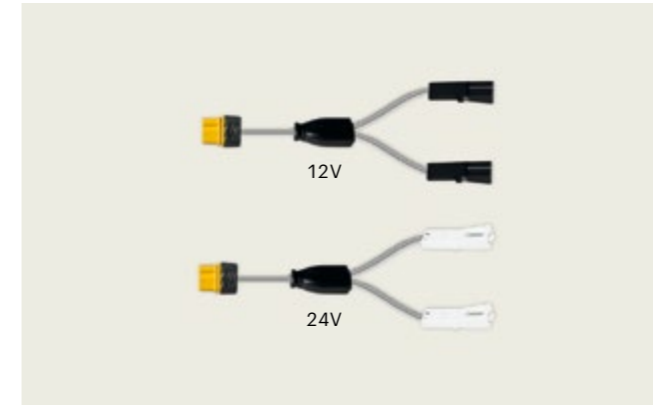


V IN / OUT	L (mm)	PLUG	CODE
100-240V AC	2000mm	UK	12606660100
		CN	12606670100
		AU	12606680100
		US	12606690100
		EU	12606710100
		KR	12606720100

Y CABLE

DISTRIBUTION CABLE

DISTRIBUTION MODULES



PARALLEL TWIN SOCKET PLUG FOR LED LAMPS

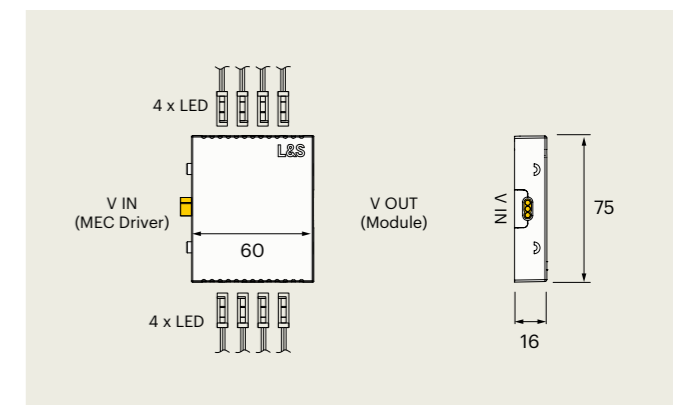
Connection to LED lamps with or without integrated switching system; available in 12V or 24V versions.

WAYS	LED	V IN	MAX LOAD	CODE
8	MONO EDC	12V DC	18W - 2A Total	12606830000
		24V DC	48W - 2A Total	12606840000

DISTRIBUTOR

8 WAYS MODULE

DISTRIBUTION MODULES

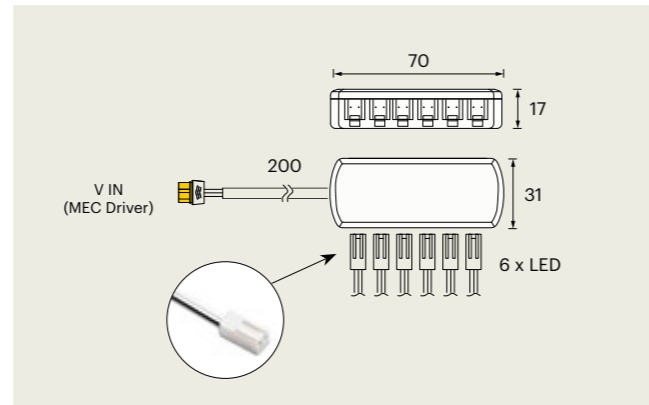
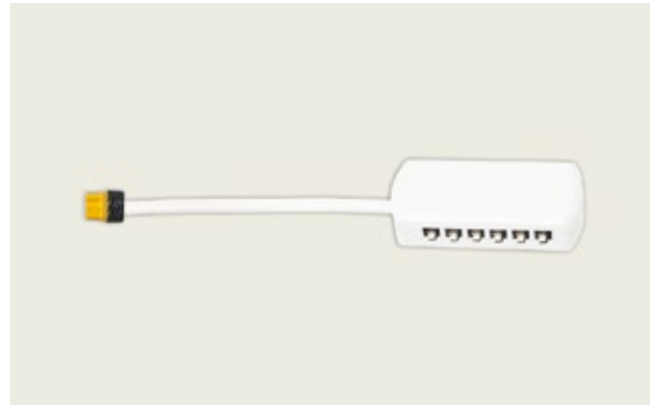


DISTRIBUTION MODULE FOR LED LAMPS

Connection up to 8 lamps with or without integrated switching system; available in 12V or 24V versions: can be connected to other control or distribution modules as long as the same voltage is maintained.

WAYS	MAX LOAD	V IN	LED	CODE
8	5A Total 3A Single way	12V DC	MONO EDC	24600130100
		24V DC	MONO EDC	24600140100

MINIBOX 6 WAYS MODULE

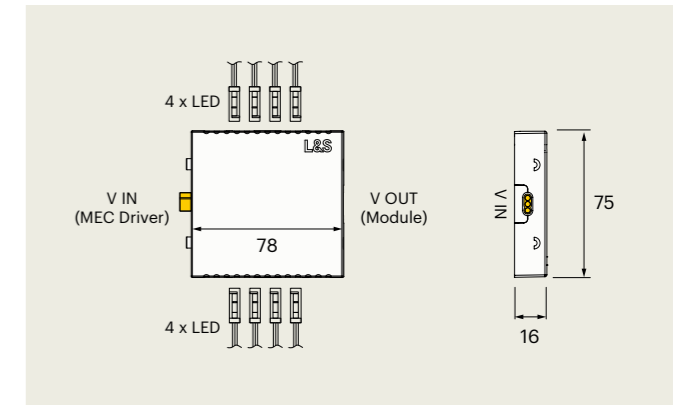
DISTRIBUTION
MODULES

DISTRIBUTION MODULE FOR LED LAMPS

Connection up to 6 lamps with or without integrated switching system; compatible with 4mm LED Strip connectors (p.88) and with 24V lamps and accessories by Forma e Funzione®.

WAYS	MAX LOAD	V IN	LED	CODE
6	150W	24V DC	MONO	940600024

SMART 1 8 WAYS MODULE

CONTROL
MODULES

RADIO FREQUENCY CONTROL MODULE

ON-OFF / Dimmer / Color Temperature (EDC)

Up to 8 lamps simultaneous control.
Compatible with Smart sensors and controllers.
Available in 12V or 24V versions: can be connected to other control or distribution modules as long as the same voltage is maintained.

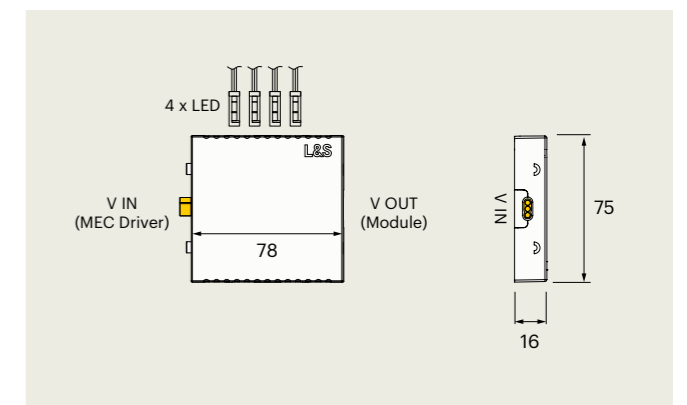
WAYS	MAX LOAD	V IN	LED	CODE
8	5A Total 3A Single way	12V DC	MONO	24201850100
			EDC	24201860100
	24V DC	MONO	24201870100	
		EDC	24201880100	

SMART SENSORS AND CONTROLLERS



Smart Up 1 → p. 24 Smart Switch → p. 26
Smart Touch → p. 25 Smart Sensors → p. 27
Smart Ghost → p. 26

SMART 4 4 WAYS MODULE

CONTROL
MODULES

RADIO FREQUENCY CONTROL MODULE

ON-OFF / Dimmer / Color Temperature (EDC)

Up to 4 lamps individual control.
Compatible with Smart sensors and controllers.
Available in 12V or 24V versions: can be connected to other control or distribution modules as long as the same voltage is maintained.

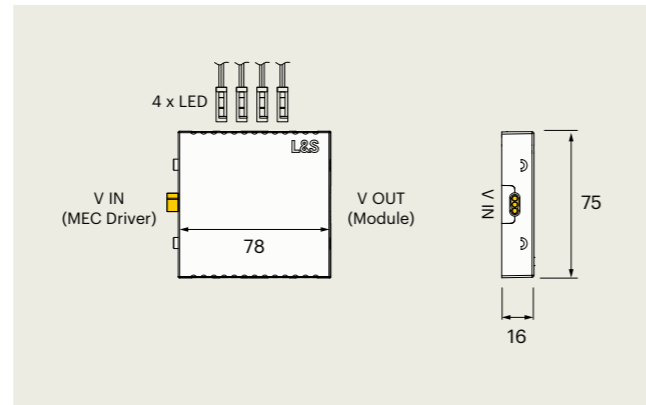
WAYS	MAX LOAD	V IN	LED	CODE
4	5A Total 3A Single way	12V DC	MONO	24201890100
			EDC	24201900100
	24V DC	MONO	24201910100	
		EDC	24201920100	

SMART SENSORS AND CONTROLLERS



Smart Up 4 → p. 24 Smart Switch → p. 26
Smart Touch → p. 25 Smart Sensors → p. 27
Smart Ghost → p. 26

BLUESMART 4 WAYS MODULE



RADIO FREQUENCY AND BLUETOOTH CONTROL MODULE ON-OFF / Dimmer / Color Temperature (EDC)

Up to 4 lamps individual control using the BlueSmart app, which can be downloaded for free from App Store and Google Play (p.109). Compatible with Smart sensors and controllers. Available in 12V or 24V versions: can be connected to other control or distribution modules as long as the same voltage is maintained.

WAYS	MAX LOAD	V IN	LED	CODE
4	5A Total 3A Single way	12V DC	MONO	24201740100
			EDC	24201750100
	24V DC	MONO	24201760100	
		EDC	24201770100	

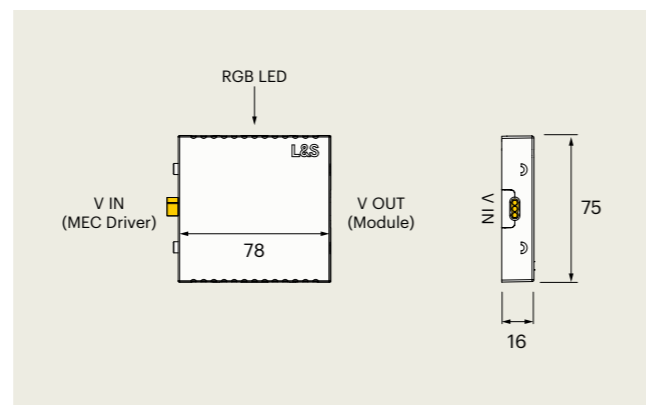
SMART SENSORS AND CONTROLLERS



Smart Up 4 → p. 24
Smart Touch → p. 25
Smart Ghost → p. 26

Smart Switch → p. 26
Smart Sensors → p. 27

BLUESMART RGB 1 WAY MODULE



RADIO FREQUENCY AND BLUETOOTH CONTROL MODULE ON-OFF / Dimmer / RGB Control

Control of 1 RGB lamp using the BlueSmart app, which can be downloaded for free from App Store and Google Play (p.109). Compatible with Smart sensors and controllers. 24V version: can be connected to other control or distribution modules as long as the same voltage is maintained.

WAYS	MAX LOAD	V IN	LED	CODE
1 RGB	5A Total 3A Single way	24V DC	RGB	24201780100
			RGBW	12607580100
Cable adapter / Distributor		24V DC	RGB	12607340000

SMART SENSORS AND CONTROLLERS



Smart 4 RGB → p. 25

BLUESMART MOBILE APP



DEVICE SETTING
Displays the connected devices divided into zones

SWITCH MODE
Select, switch on or off individual zones

DIMMER MODE
Adjust the light intensity of each individual lamp

SCENARIO MODE
Up to 4 different scenarios with custom settings

WHITE MODE (EDC)
Color temperature selection for each individual lamp

RGB MODE (RGB VERSION)
Color tone selection for each individual lamp

COMPATIBLE WITH BLUESMART MODULES (P.16) - FREE DOWNLOAD

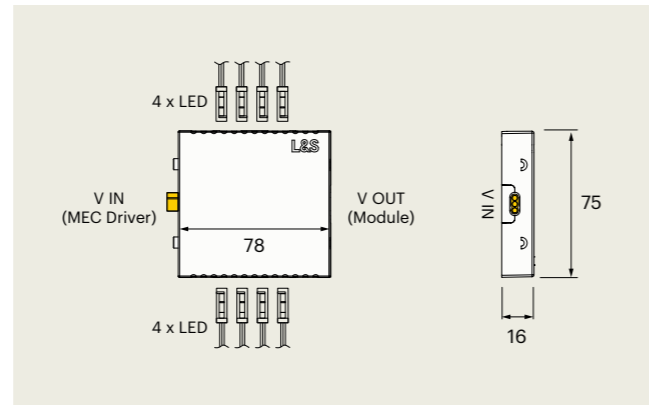


Download on the
App Store



ANDROID APP ON
Google Play

SMARTY VOICE 8 WAYS MODULE



RADIO FREQUENCY AND VOCAL CONTROL MODULE ON-OFF / Dimmer / Color Temperature (EDC)

Up to 8 lamps simultaneous control via voice commands with Amazon Alexa and Google Home devices; compatible with Smart sensors and controllers. Available in 12V or 24V versions: can be connected to other control or distribution modules as long as the same voltage is maintained.

WAYS	MAX LOAD	V IN	LED	CODE
8	5A Total 3A Single way	12V DC	MONO	24201810100
			EDC	24201820100
	24V DC	MONO	24201830100	
		EDC	24201840100	

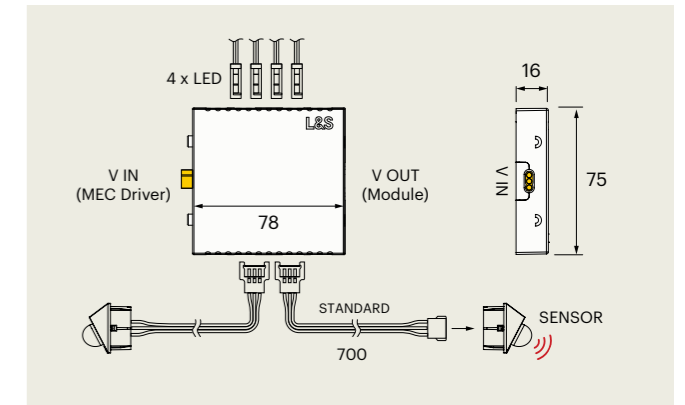
SMART SENSORS AND CONTROLLERS



Smart Up 1 → p. 24
Smart Touch → p. 25
Smart Ghost → p. 26

Smart Switch → p. 26
Smart Sensors → p. 27

WIRED C 4 WAYS MODULE



CONTROL MODULE WITH WIRED SENSORS ON-OFF / Dimmer

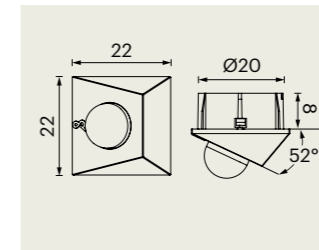
Up to 4 lamps simultaneous control; compatible with cabled IR, PIR and TOUCH sensors, sold separately (max. 2 sensors per module); available in 12V or 24V versions: can be connected to other control or distribution modules as long as the same voltage is maintained.

Sensors are supplied as standard with 700mm cable (3000mm cable sold separately)

WAYS	MAX LOAD	V IN	LED	CODE
4	5A Total 3A Single way	12V DC	MONO	24203170100
		24V DC	MONO	24203210100

EXTRA SENSOR CABLE

EXTRA SENSOR CABLE	CODE
3000mm	12608841000

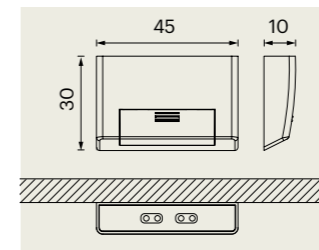


PIR SENSOR

Motion sensor for recessed mounting. Switch-off time (16 or 180 seconds, starting from last detection) selectable on the WIRED-C module. Memory of setting also in case of a power failure

24203191000

Hole: Ø20mm

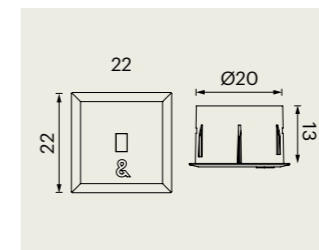


IR DOOR WEDGE

Handy, small-sized door contact sensor for surface mounting; its 2 IR detectors on board make it ideal for two-door cabinets

24203181000

Cable hole: Ø8mm



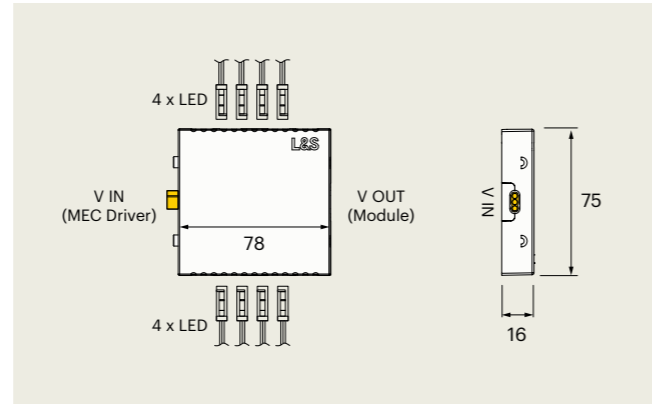
TOUCH SENSOR

Touch switch for recessed mounting. Long touch for a stepless dimming (10%-100%). Memory of setting also in case of a power failure

24203201000

Hole: Ø20mm

KINETIC 8 WAYS MODULE

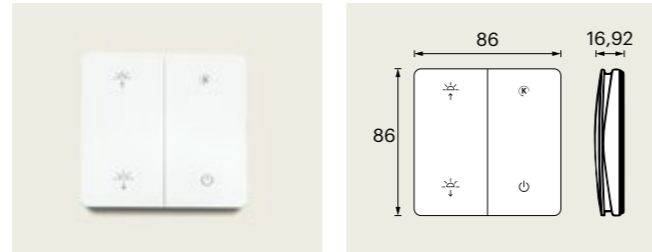


RADIO FREQUENCY CONTROL MODULE
ON-OFF / Dimmer / Color Temperature

Up to 8 lamps simultaneous control with dedicated remote, sold separately; available in 24V version: can be connected to other control or distribution modules as long as the same voltage is maintained.

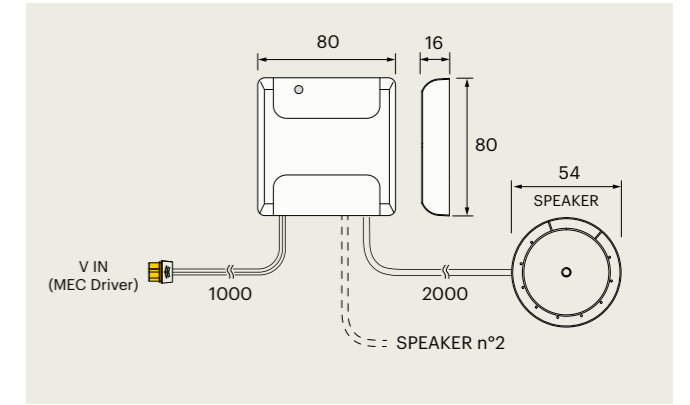
The piezoelectric technology EDC Radio remote control works without battery, avoiding any type of maintenance.

WAYS	MAX LOAD	V IN	LED	CODE
8	5A Total 3A Single way	24V DC	EDC	24202510100



KINETIC EDC RADIO REMOTE CONTROL	CODE
Range: 15m indoor	24202530100

SMART MUSIC AUDIO MODULE



BLUETOOTH AUDIO PLAYBACK MODULE

The Smart Music module allows you to reproduce the audio signal of your smartphone through the excitors, active speakers that, applied inside furniture or behind mirrors, transform surfaces into acoustic diffusers, thus creating an invisible sound system. Available as a kit with one or two speakers (two speakers are recommended for surfaces larger than 3 m²). Can be connected to other control or distribution modules as long as the same voltage (24V) is maintained.

V IN	OUTPUT	CODE
24V DC	1x SPEAKER 8W (15W consumption)	24601810100
	2x SPEAKER 8W (15W + 15W consumption)	24601820100

ACTIVE SPEAKER



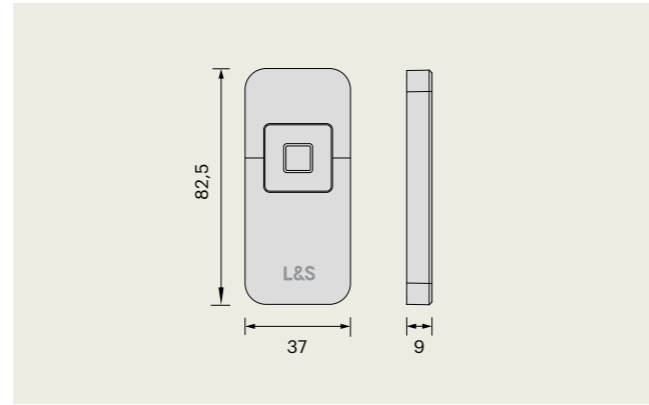
Smart-home ready



Functional solutions for remote control of all the LED lamps connected to SMART Control modules.

A wide range of wireless sensors and controllers, to customize every aspect of the light by controlling switch on-off, light intensity and Color Temperature (EDC versions for EDC Dual Color and EMOTION light sources)

SMART UP 1 CONTROLLER



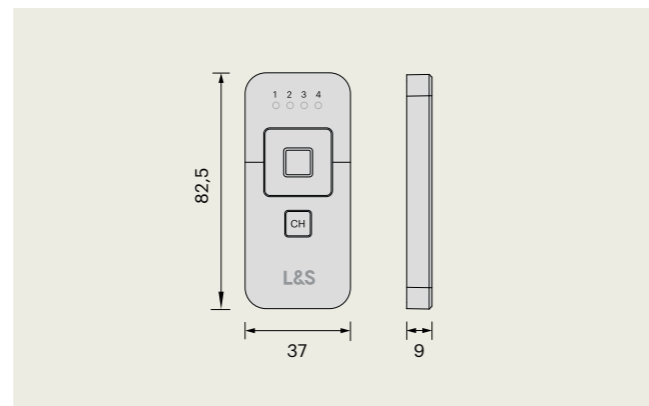
TOUCH BATTERY OPERATED RADIO REMOTE CONTROL MONO/EDC - Range: 20m (indoor)

1 channel radio remote, for simultaneous control of all the lamps connected to compatible Smart control modules (up to 6 modules).

CHANNELS / LED	CONTROLS	CODE
1 CHANNEL MONO/EDC	ON-OFF / Dimmer Temperatura colore (EDC)	24203240300

COMPATIBLE SMART MODULES	BATTERY INCLUDED
Smart 1 → p.15 Bluesmart → p.16 Smarty Voice → p.18	CR2032 3V (3 years)

SMART UP 4 CONTROLLER



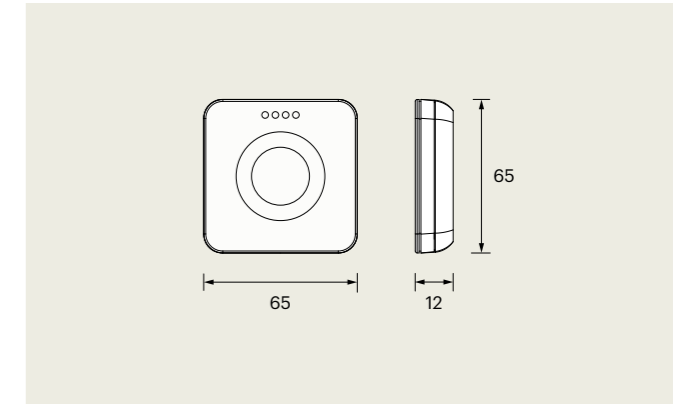
TOUCH BATTERY OPERATED RADIO REMOTE CONTROL MONO/EDC - Range: 20m (indoor)

Radio remote with buttons and touch controls; with the possibility to control and store up to 4 independent channels; individual control of all the lamps connected to compatible Smart control modules (up to 6 modules).

CHANNELS / LED	CONTROLS	CODE
4 CHANNELS MONO/EDC	ON-OFF / Dimmer Temperatura colore (EDC)	24203250300

COMPATIBLE SMART MODULES	BATTERY INCLUDED
Smart 4 → p.15 Bluesmart → p.16	CR2032 3V (3 years)

SMART 4 CONTROLLER RGB



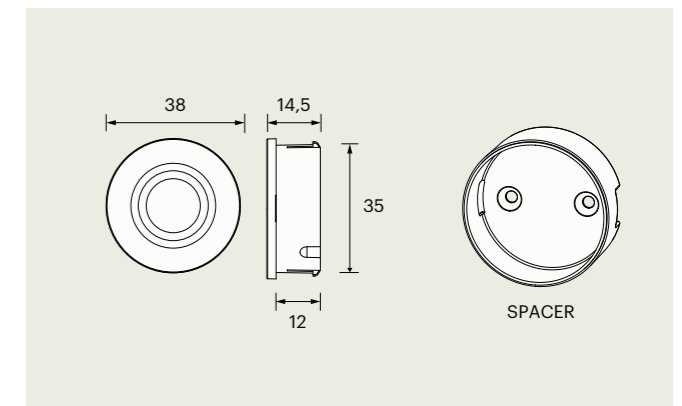
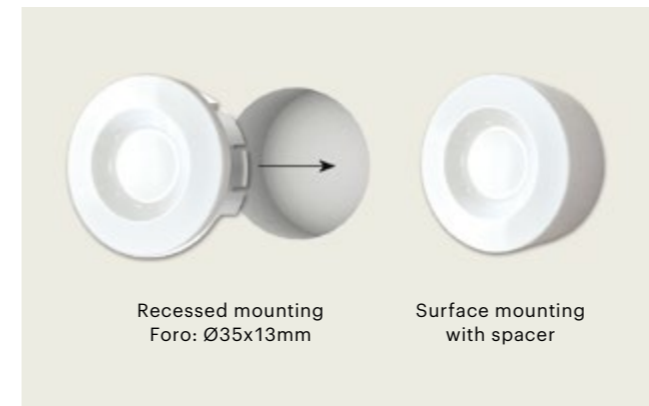
TOUCH BATTERY OPERATED RADIO REMOTE CONTROL RGB - Range: 20m (indoor)

Radio remote with buttons and touch controls; with the possibility to control and store up to 4 independent channels; individual control of all the lamps connected to compatible Smart control modules (up to 6 modules).

CHANNELS / LED	CONTROLS	CODE
4 CHANNELS RGB	ON-OFF / Dimmer / RGB	24200650101

COMPATIBLE SMART MODULES	BATTERY INCLUDED
Bluesmart RGB → p.16	CR2450 3V (3 years)

SMART TOUCH CONTROLLER



TOUCH BATTERY OPERATED RADIO REMOTE CONTROL MONO/EDC - Range: 15m (indoor)

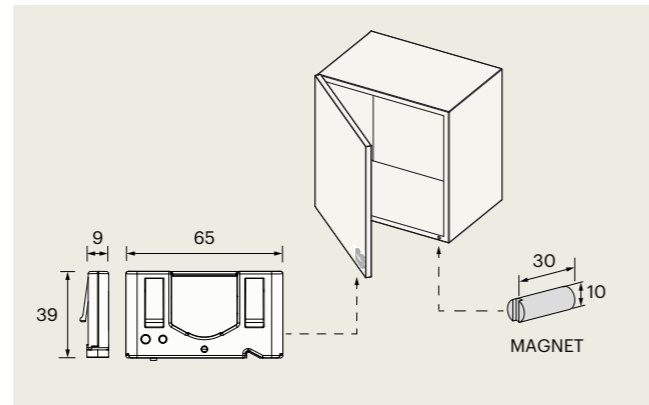
1 channel radio remote for recessed mounting; complete with screw fixing spacer for surface mounting. Simultaneous control of all the lamps connected to compatible Smart control modules (up to 6 modules)

CHANNELS / LED	CONTROLS	CODE
1 CHANNEL MONO/EDC	ON-OFF / Dimmer Temperatura colore (EDC)	24200740100

COMPATIBLE SMART MODULES	BATTERY INCLUDED
Smart 1 / 4 → p.15 Bluesmart → p.16 Smarty Voice → p.18	CR2450 3V (3 years)

SMART GHOST

DOOR SENSOR





BATTERY OPERATED WIRELESS DOOR SENSOR

MONO - Range: 20m (indoor)

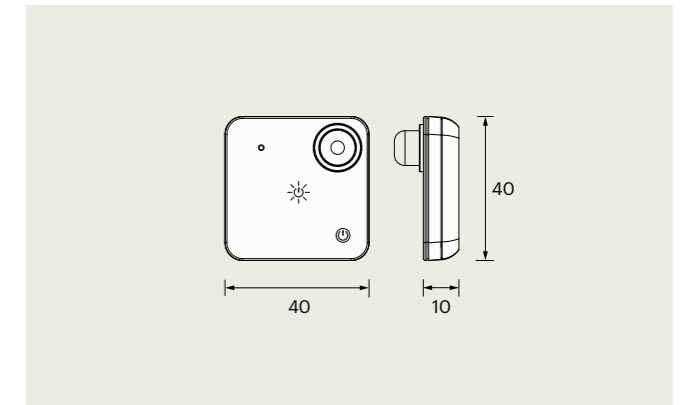
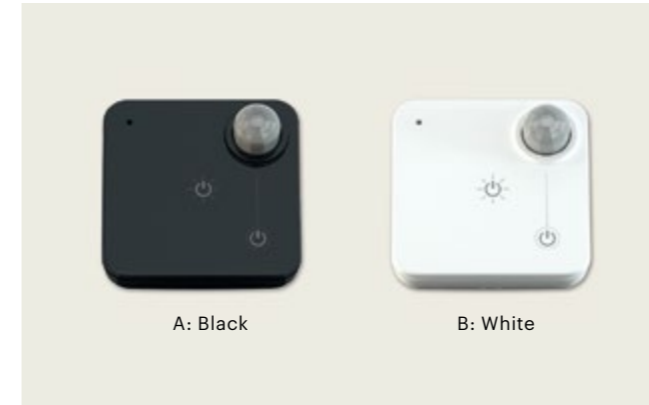
1 channel sensor for recessed installation on furniture doors: ON-switching of all connected lamps at door opening, OFF-switching at door closing by means of a magnetic contact (without contact time activation is adjustable). Simultaneous control of all the lamps connected to compatible Smart control modules (up to 6 modules)

CHANNELS / LED	CONTROLS	CODE
1 CHANNEL / MONO	ON-OFF / Dimmer	24200690100

COMPATIBLE SMART MODULES	BATTERY INCLUDED
 Smart 1 / 4 → p.15 Bluesmart → p.16 Smarty Voice → p.18	 CR2450 3V (3 years)

SMART SENSOR

PIR SENSOR





WIRELESS BATTERY OPERATED MOTION SENSOR

MONO/EDC - Range: 2m

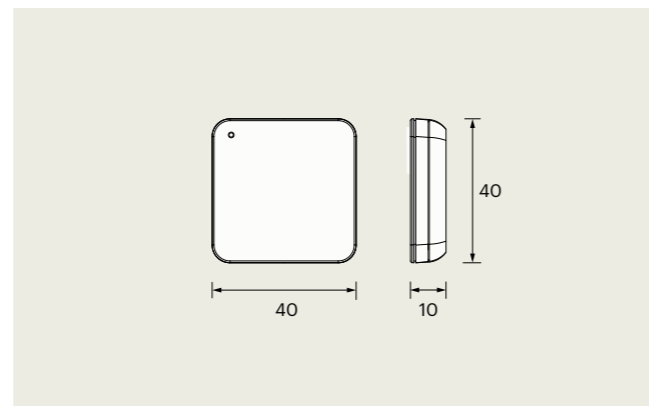
1 channel motion sensor for surface mounting; adjustable brightness threshold and time activation; selectable detection range; works also as radio remote control with touch buttons (range: 15m indoor). Simultaneous control of all the lamps connected to compatible Smart control modules (up to 6 modules)

CHANNELS / LED	CONTROLS	CODE
1 CHANNEL MONO/EDC	ON-OFF / Dimmer Temperatura colore (EDC)	A: 24200750101 B: 24200750300

COMPATIBLE SMART MODULES	BATTERY INCLUDED
 Smart 1 / 4 → p.15 Bluesmart → p.16 Smarty Voice → p.18	 CR2450 3V (3 years)

SMART SWITCH

CONTROLLER





TOUCH BATTERY OPERATED RADIO REMOTE CONTROL

MONO/EDC - Range: 15m (indoor)

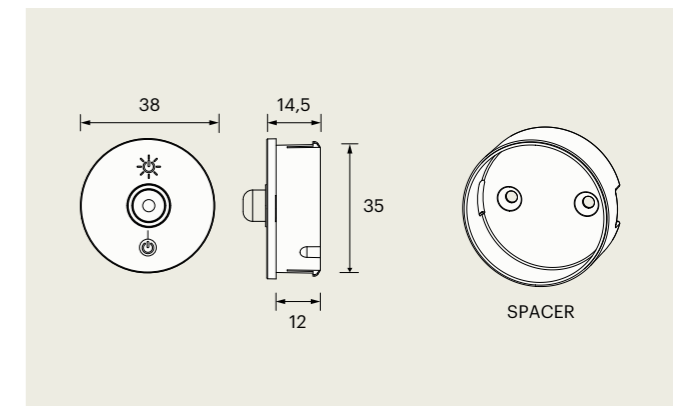
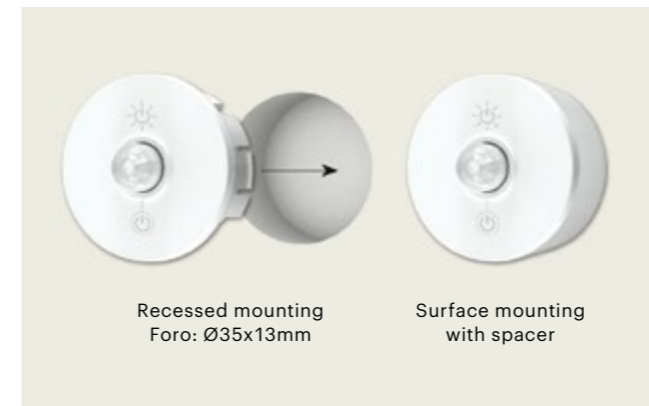
1 channel radio remote; ideal for retrofitting: it transforms standard wall buttons into wireless controllers by integrating with the existing system without the need for further interventions. Simultaneous control of all the lamps connected to compatible Smart control modules

CHANNELS / LED	CONTROLS	CODE
1 CHANNEL MONO/EDC	ON-OFF / Dimmer Temperatura colore (EDC)	24200660100

COMPATIBLE SMART MODULES	BATTERY INCLUDED
 Smart 1 / 4 → p.15 Bluesmart → p.16 Smarty Voice → p.18	 CR2450 3V (3 years)

SMART SENSOR O

PIR SENSOR





WIRELESS BATTERY OPERATED MOTION SENSOR

MONO/EDC - Range: 2m

1 channel motion sensor: adjustable brightness threshold and time activation; selectable detection range; works also as radio remote control with touch buttons (range: 15m indoor); for recessed mounting, complete with screw fixing spacer for surface mounting. Simultaneous control of all the lamps connected to compatible Smart control modules (up to 6 modules)

CHANNELS / LED	CONTROLS	CODE
1 CHANNEL MONO/EDC	ON-OFF / Dimmer Temperatura colore (EDC)	24201180100

COMPATIBLE SMART MODULES	BATTERY INCLUDED
 Smart 1 / 4 → p.15 Bluesmart → p.16 Smarty Voice → p.18	 CR2450 3V (3 years)

