

# Hi Line

MODULAR SYSTEMS

HORIZONTAL WALL  
PANELLING SYSTEM  
WITH COMBINING  
LIGHTINGS







# Hi Line

CE

Horizontal free-standing wall panelling system, for retail and residential furnishing

Maximum flexibility and quick assembly for suspended and free-standing furnishing solutions, with the combination of aluminum structural profiles that can be installed on any type of wall.

A modular and versatile furnishing solution, Hi Line enhances living or exhibiting areas with lighting systems that can be easily inserted into the structures with magnetic fixing: the integration of Solaris light panels, customizable with printed graphics also as a visual communication tool, enables the assembly of original and stunning compositions. A wide range of accessories (shelves, object holders and wall units) allows for an neat and rational organization of every environment.

#### IDEAL FOR

- kitchen
- living room
- bathroom

#### FEATURES

- versatility
- easy installation
- wide range of accessories
- furnishing light

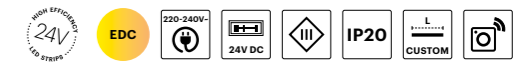




### Smart and Remote Control of light effects

The Hi Line system light fittings, once connected with Mec Driver power supply and control platform, can be easily controlled via Smart L&S remote controls, L&S Apps or even integrating the most know voice controls commercially available.

# Hi Line



**LAMP - 24V DC - EDC** 03

Ⓐ	92900070300DND	900mm	8,1W	2700K-4000K
	92900080300DND	1200mm	10,8W	2700K-4000K
	92900090300DND	1500mm	13,8W	2700K-4000K
	92900010300DND	1800mm	16,7W	2700K-4000K

**ALUMINIUM PROFILES** 03

Ⓑ	92900020300	3950mm	Upper / Lower profile
Ⓒ	92900030300	3950mm	Side profile
Ⓓ	92900040300	3950mm	Rear profile

**ACCESSORIES, CONTROL AND SUPPLY**

**EMOTION JUMPER**  
The included cable allows for colour temperature variation from 'warm' to 'natural' white (2700 K - 4000 K).

**CONTROL**  
Product compatible with L&S remote controls of the Smart line.

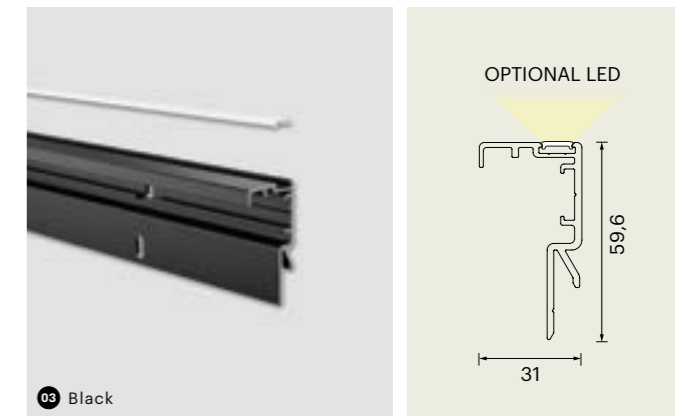
**SUPPLY**  
Mec Driver, complete platform of power supplies and receiving modules for light control.



Ⓐ Lamp profile



Ⓑ Upper / lower profile

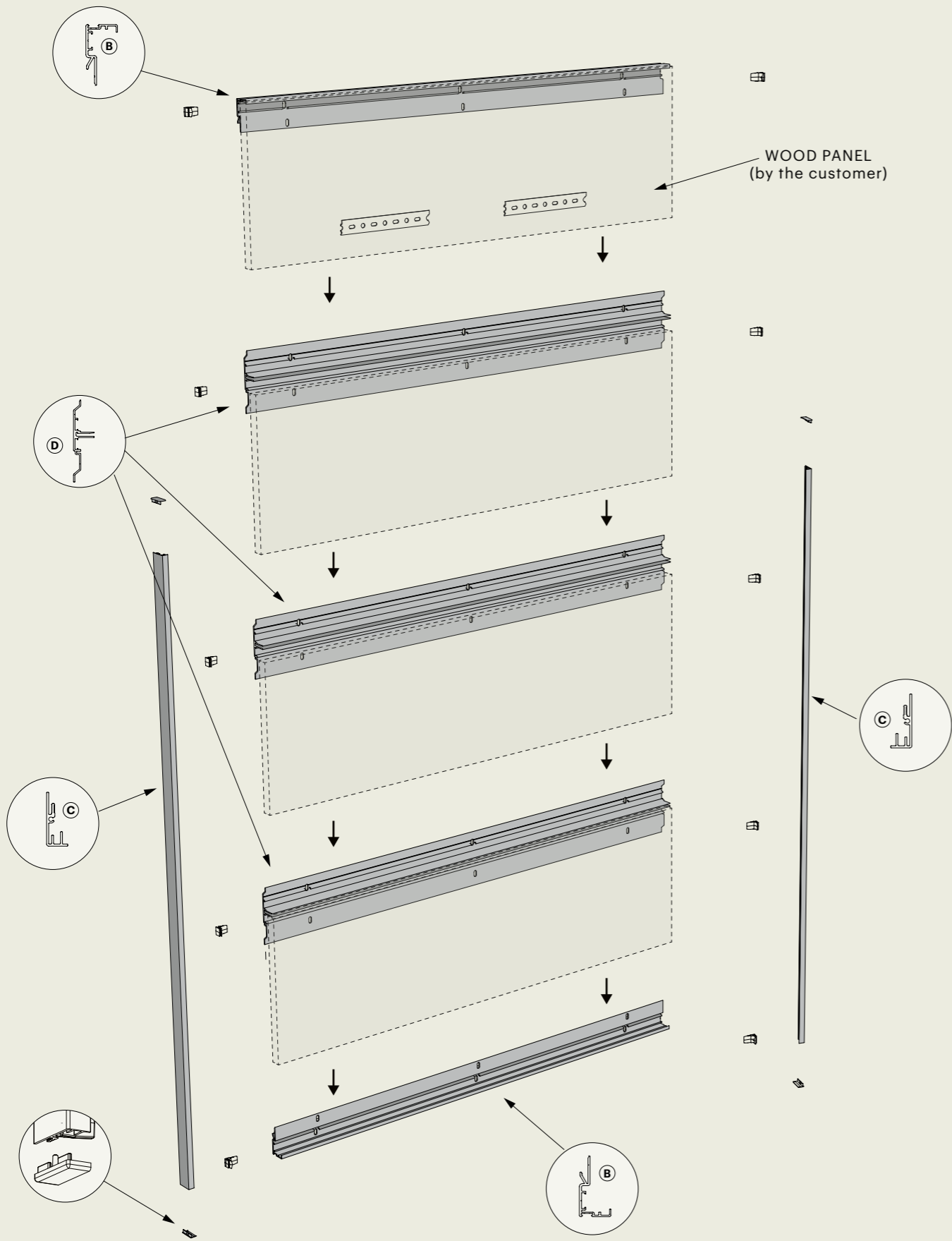


Ⓒ Side profile

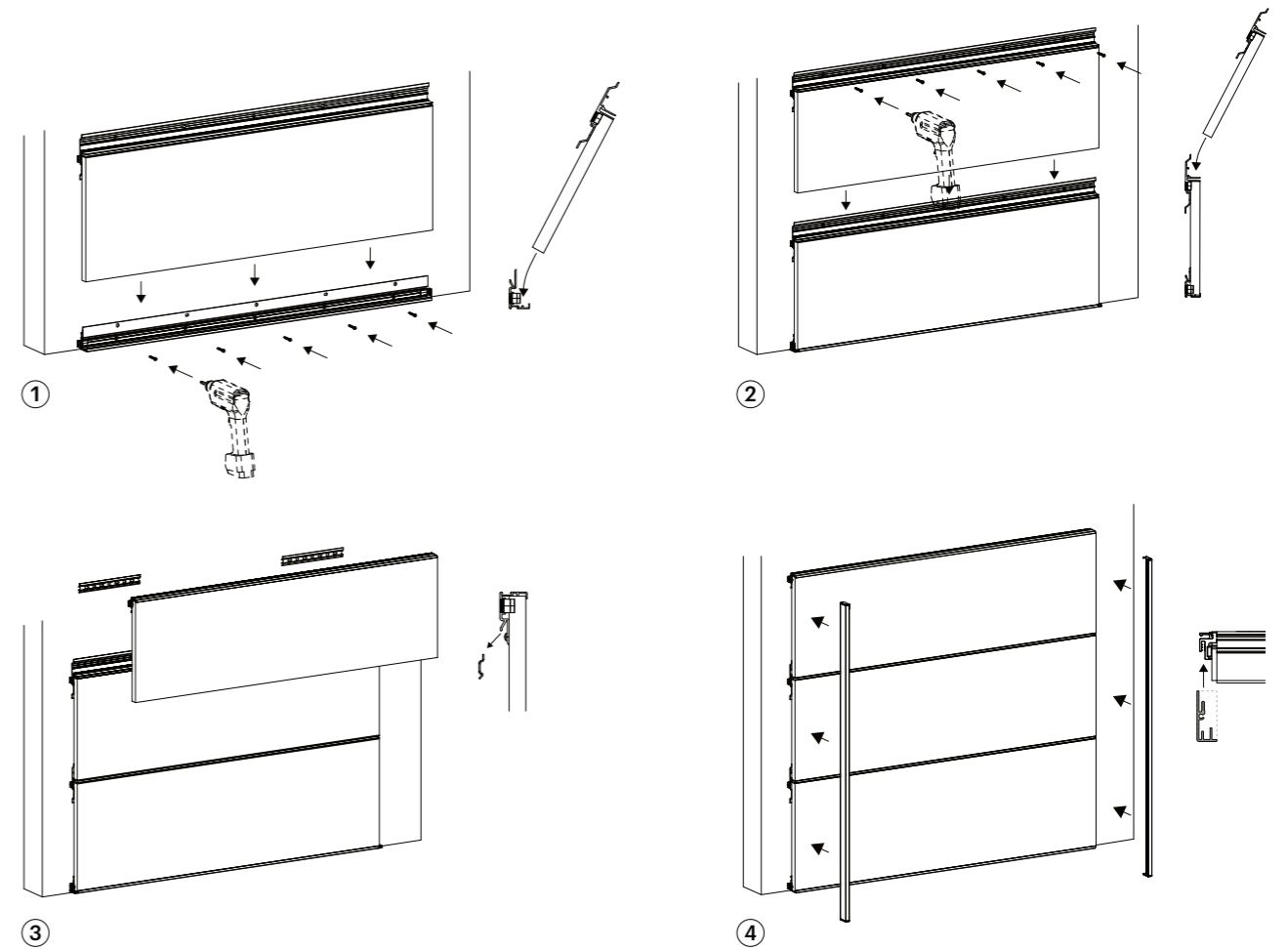


Ⓓ Rear profile

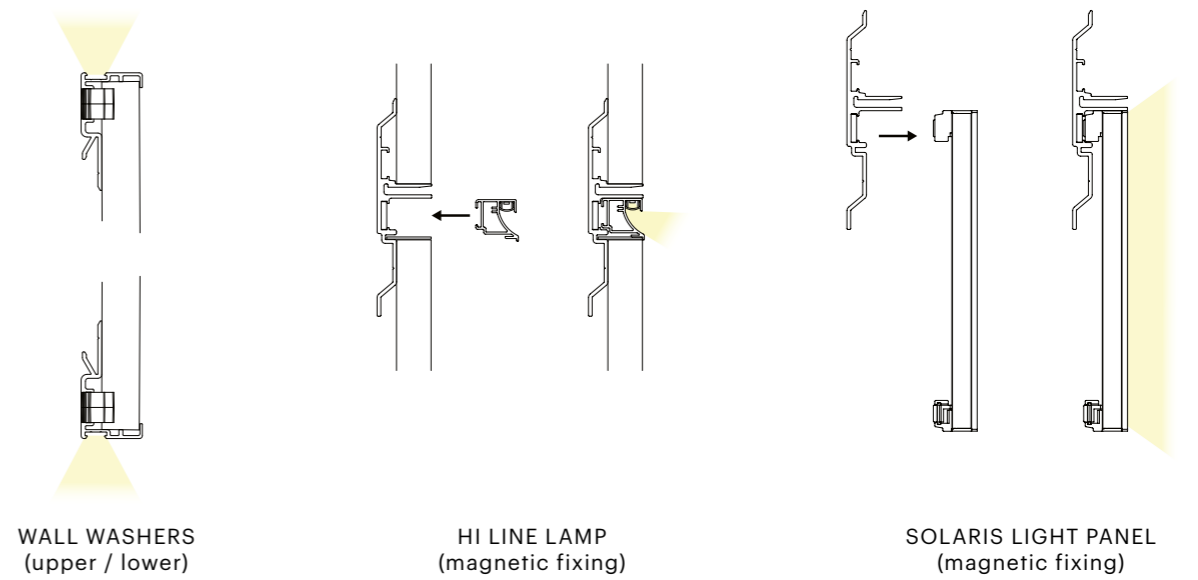




Installation example



Lighting solutions

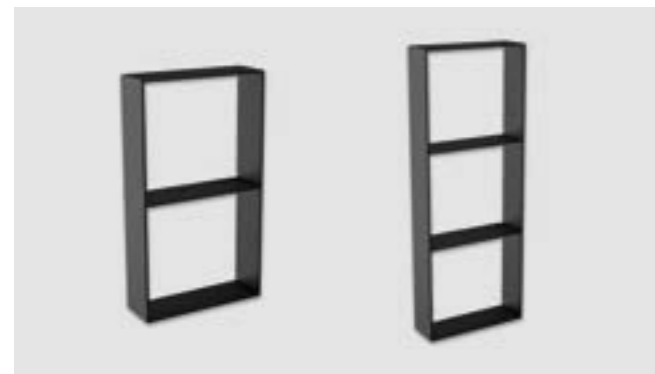
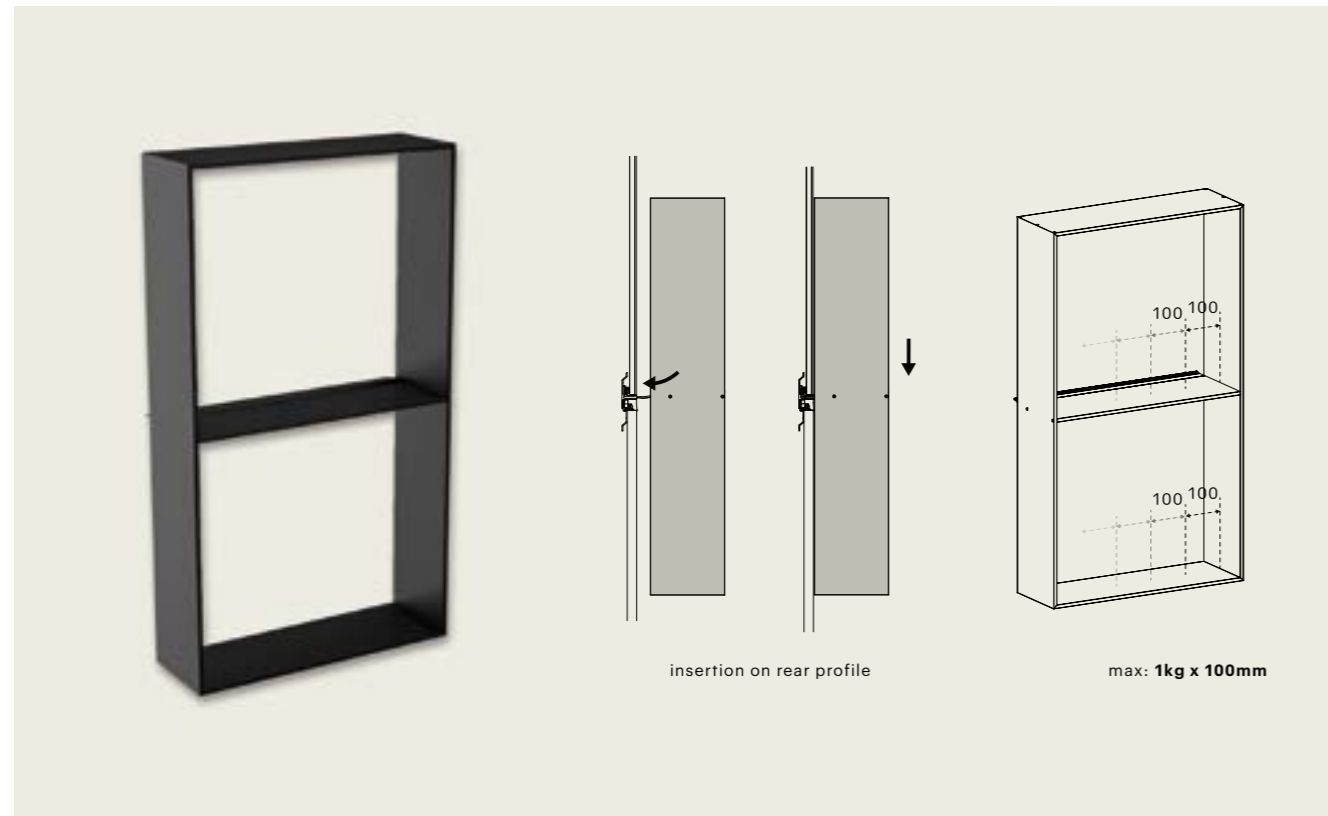






## Hi Line - Modules

dimensions in mm

**MODULI VERTICALI**

Vertical open modules made of black scratch-resistant brushed aluminium, which can be inserted on rear profile. Available, upon request, provided with single glass doors

03	92900050300	2 x compartments	450 x 150 x h 800mm
	92900060300	3 x compartments	450 x 150 x h 1200mm

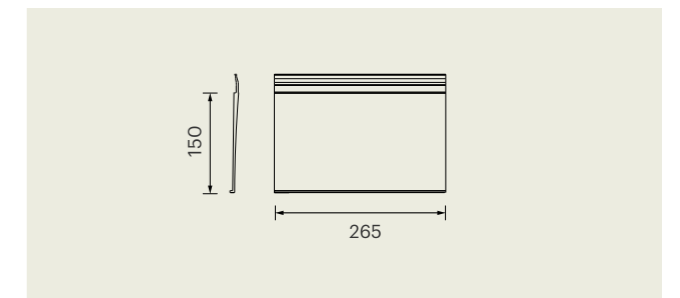
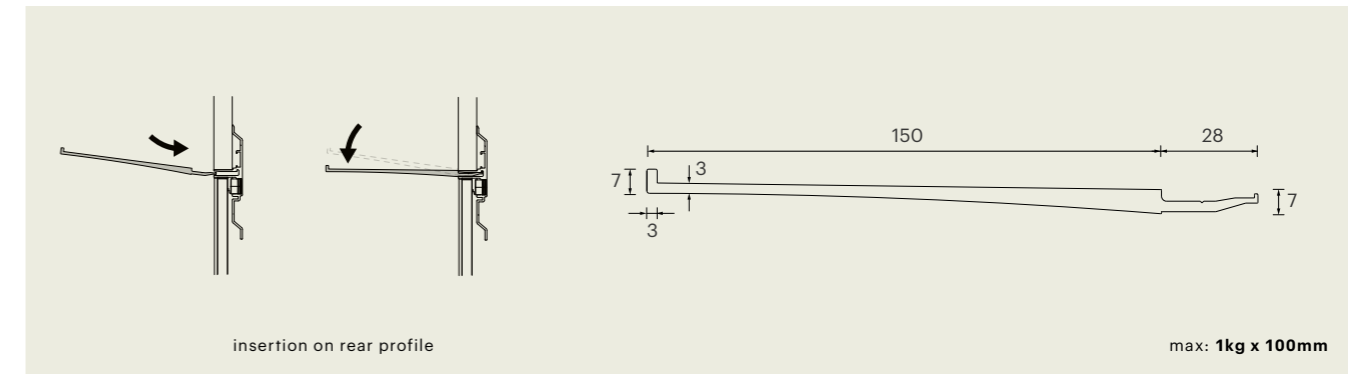
**MODULO ORIZZONTALE**

Horizontal open modules made of black scratch-resistant brushed aluminium, which can be inserted on rear profile.

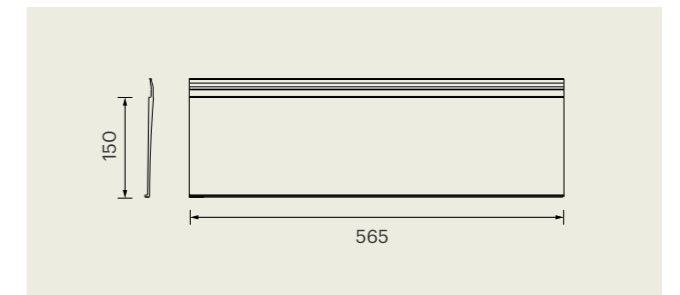
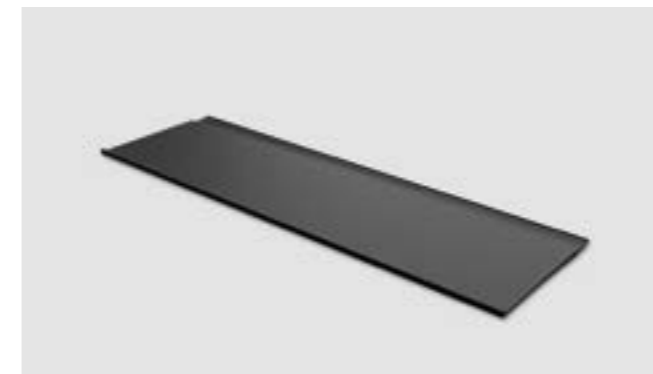
03	92900240300	2 x compartments	900 x 150 x h 450mm
----	-------------	------------------	---------------------

## Hi Line - Aluminium shelves

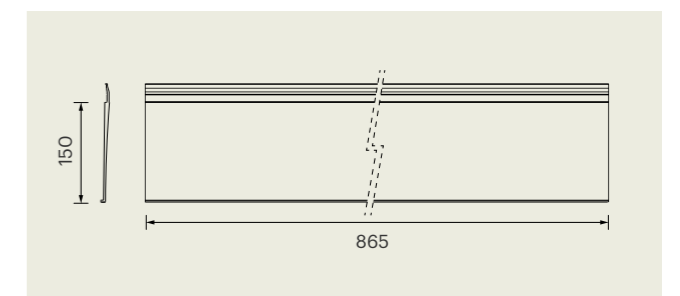
dimensions in mm

**FLAT SHELF 265mm**

03 92900230300 Front edge: 7mm 265 x 150mm

**FLAT SHELF 565mm**

03 92900100300 Front edge: 7mm 565 x 150mm

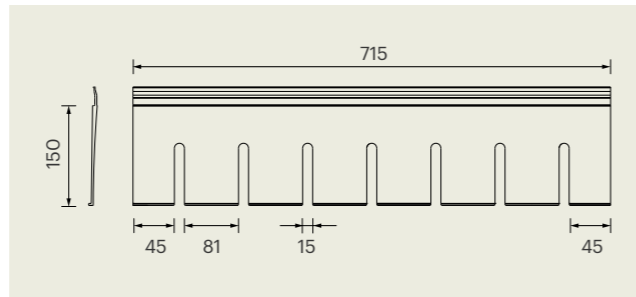
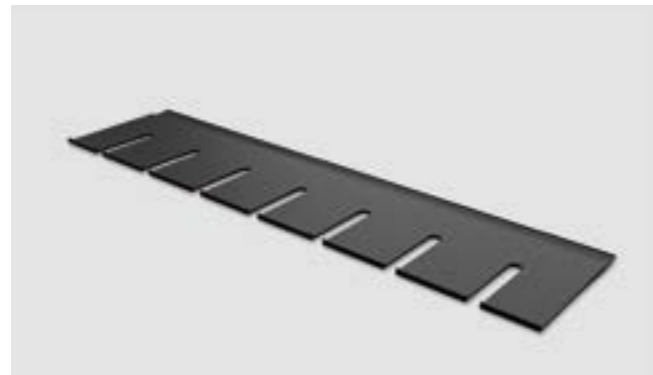
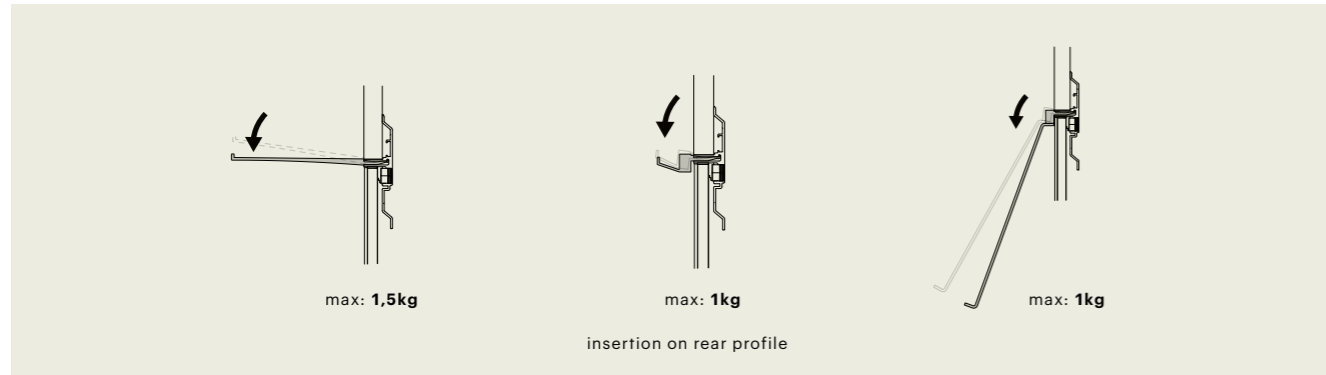
**FLAT SHELF 865mm**

03 92900120300 Front edge: 7mm 865 x 150mm

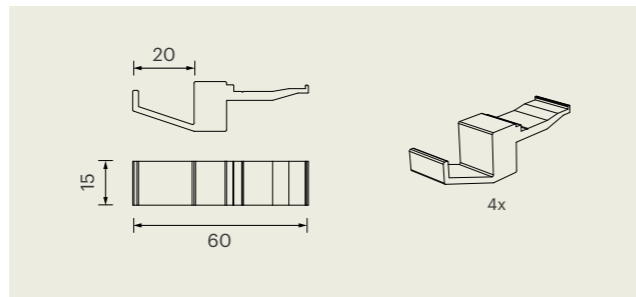


Hi Line - Aluminium accessories

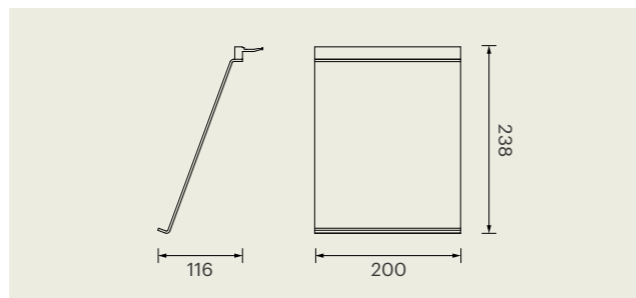
dimensions in mm



**WINE GLASS HOLDER 715mm**  
 03 92900150300 Front edge: 7mm 715 x 150mm

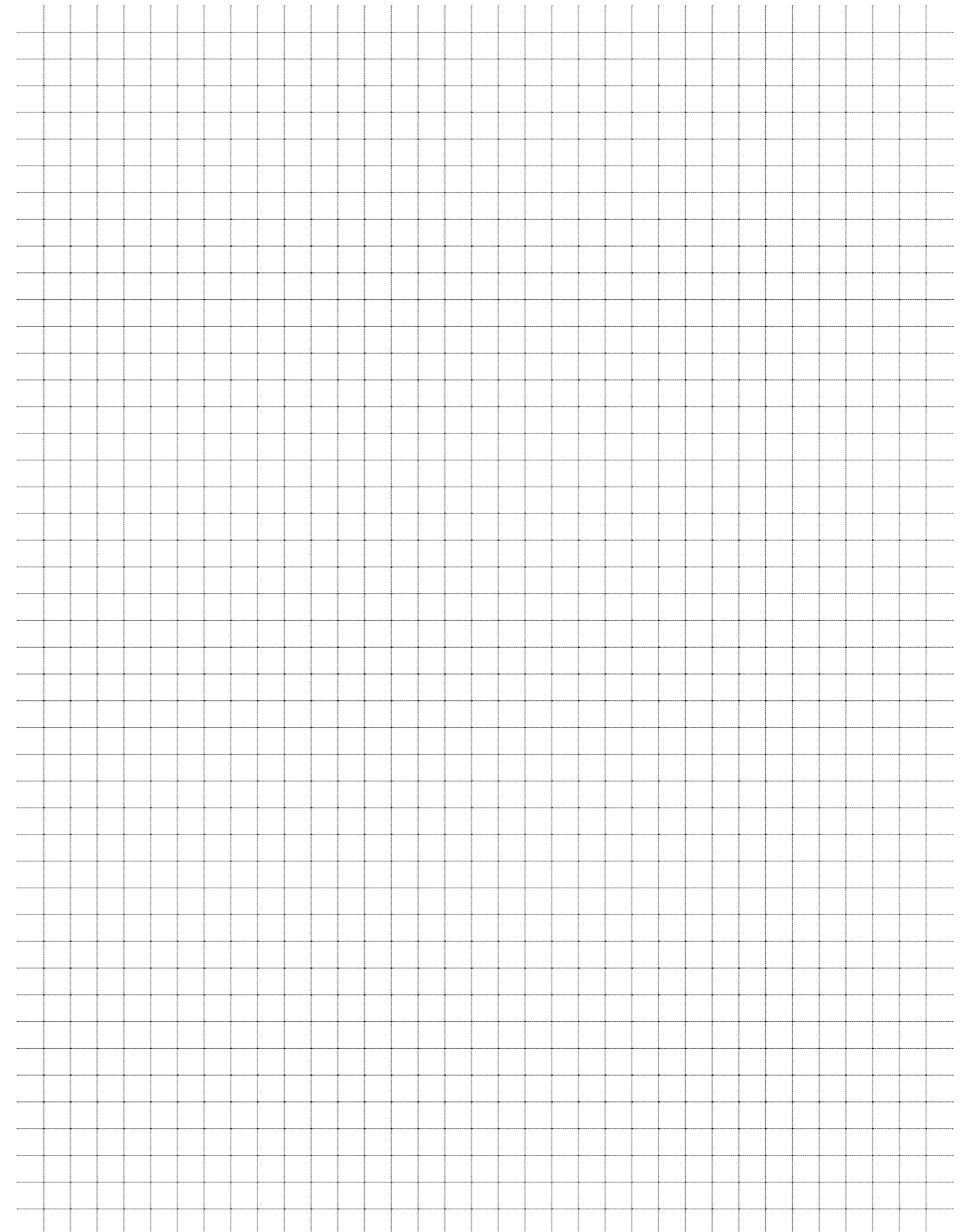


**SET 4 HOOKS**  
 03 92900170300 4x HOOKS



**IPAD SHELF**  
 03 92900200300 330 x 118 x 20mm

NOTE





LS-LIGHT.COM

FORMA E FUNZIONE.COM